

SMPS SERIES

SMPS Interface at a Glance

SV Microwave offers a complete line of SMPS connectors. The SMPS connector utilizes the same great features of the SMP and SMPM connector series in an even smaller package. The SMPS series is ideal in applications where density is of the utmost importance.

Electrical Specifications

| | |
|---------------------------------|------------------------------------------------|
| Impedance | 50Ω |
| Frequency | 100 GHz |
| VSWR | 1.10:1 to 26.5 GHz typ.; 1.25:1 to 65 GHz typ. |
| Insertion Loss | .07 √ f |
| Shielding Effectiveness | ≥ -80 dB typ. |
| Dielectric Withstanding Voltage | 250 VRMS |

Mechanical Specifications

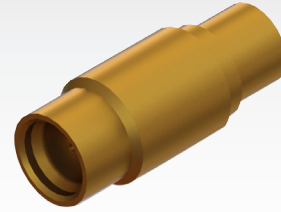
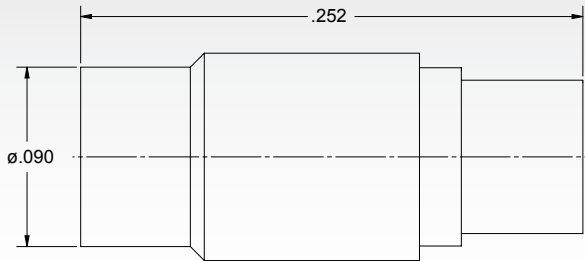
| | SB | FD |
|---------------------------|---------------|---------------|
| Mating Cycles | 500 | 100 |
| Force to Engage/Disengage | 1.2 / 1.0 lbs | 2.5 / 4.5 lbs |
| Axial Misalignment | | .010" |
| Radial Misalignment | | ± .010" |

Environmental Specifications

| | |
|--------------------------------|---------------------------------------------------|
| Temperature Rating | -65°C to +165°C |
| Corrosion (Salt Spray) | MIL-STD-202, Method 101, Condition B |
| Vibration | MIL-STD-202, Method 204, Condition D, 20 Gs |
| Shock | MIL-STD-202, Method 213, Condition I, 100 Gs |
| Thermal Shock | MIL-STD-202, Method 107. Cond. B, -65°C to +165°C |
| Barometric Pressure (Altitude) | MIL-STD-202, Method 105, Condition C, 70k Ft. |

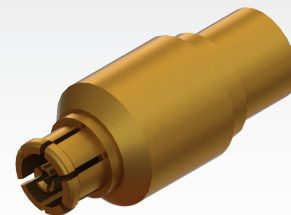
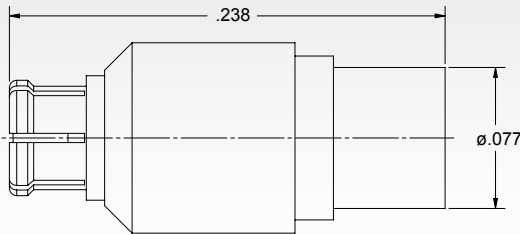
Note: Specifications, dimensions and images are typical for the series and may vary by part number

Male Cable Connector



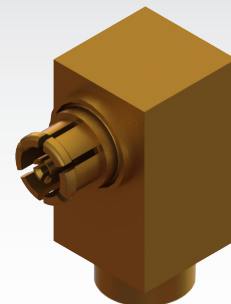
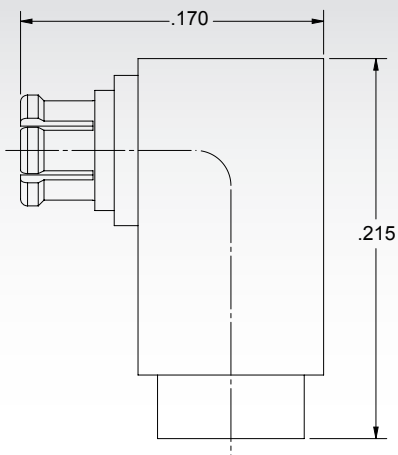
| Detent | Cable | P/N |
|--------|-------|------------|
| SB | .047 | 3811-40002 |
| FD | .047 | 3811-40001 |

Female Cable Connector



| Cable | P/N |
|-------|------------|
| .047 | 3821-40001 |

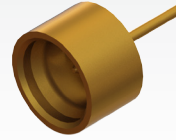
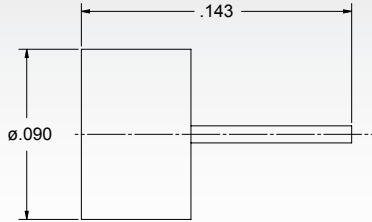
Female Cable Connector, Swept R/A



| Cable | P/N |
|-------|------------|
| .047 | 3822-40001 |

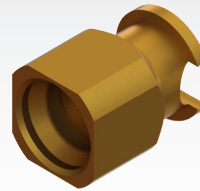
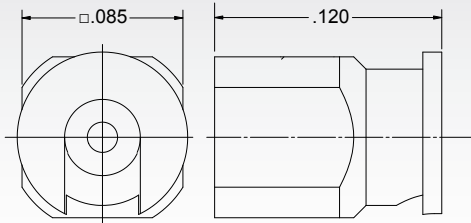
SMPS SERIES

Male Solder-In Connector (.009")



| Detent | P/N |
|--------|------------|
| SB | 3811-40005 |
| FD | 3811-40006 |

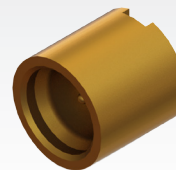
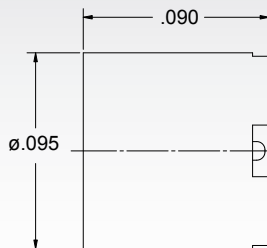
Male Surface Mount Connector



| Detent | P/N |
|--------|------------|
| SB | 3811-40023 |
| FD | 3811-40022 |

Contact SV directly to access our database of recommended PCB layouts

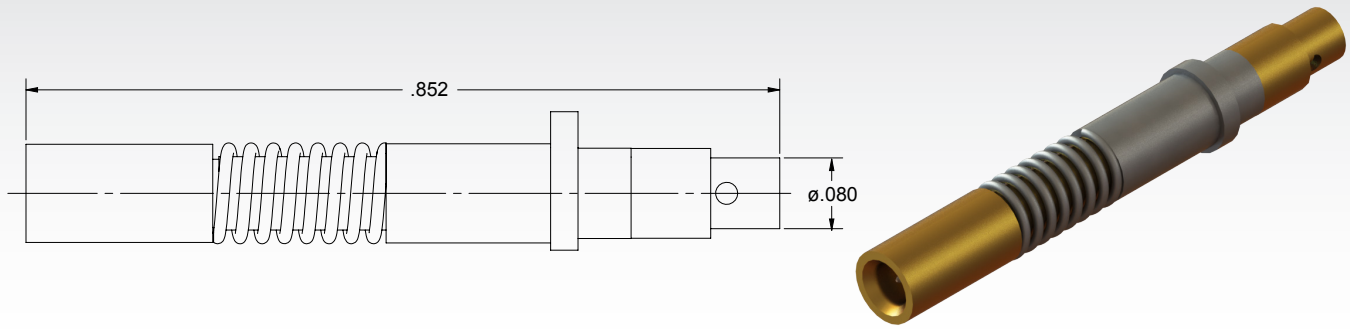
Male Surface Mount Hermetic Connector (.009")



| Detent | P/N |
|--------|------------|
| SB | 3811-60005 |
| FD | 3811-60006 |

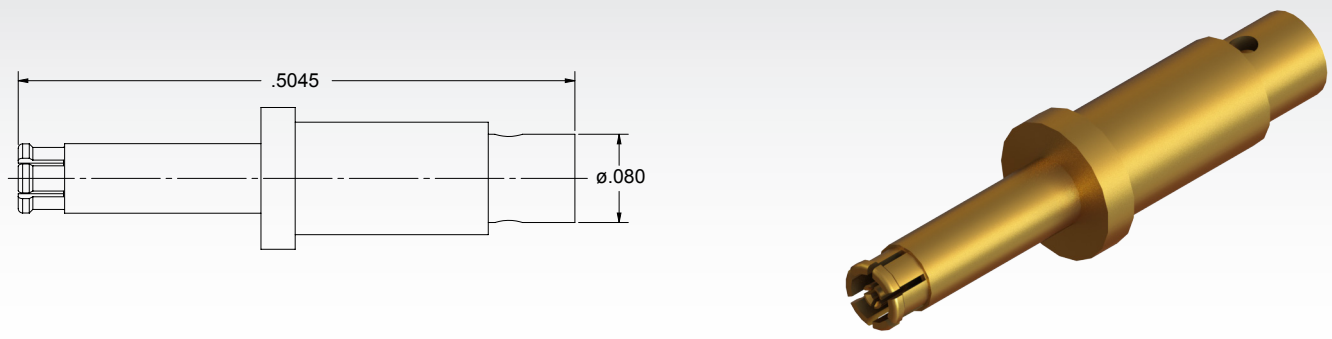
Contact SV directly to access our database of recommended PCB layouts

Socket D38999 Cable Contact (Size 16)



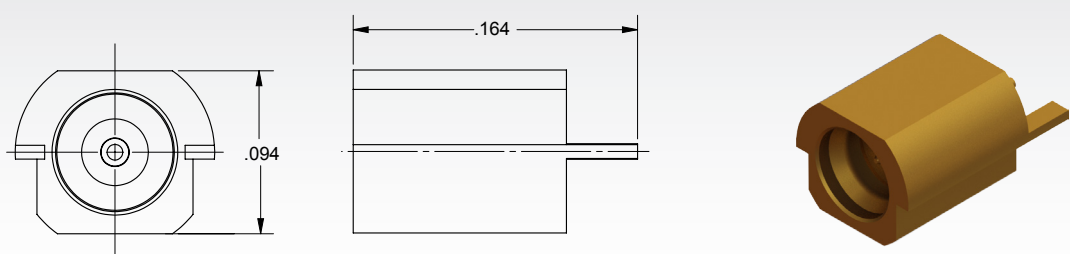
| Cable | P/N |
|-------|--------------|
| .047 | SF9911-60001 |

Pin D38999 Cable Contact (Size 16)



| Cable | P/N |
|-------|------------|
| .047 | 9921-40001 |

Male Edge Launch Connector

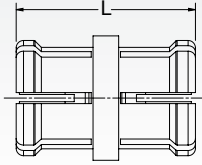


| Detent | P/N |
|--------|------------|
| SB | 3811-40004 |
| FD | 3811-40003 |

Contact SV directly to access our database of recommended PCB layouts

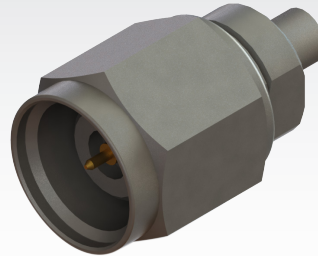
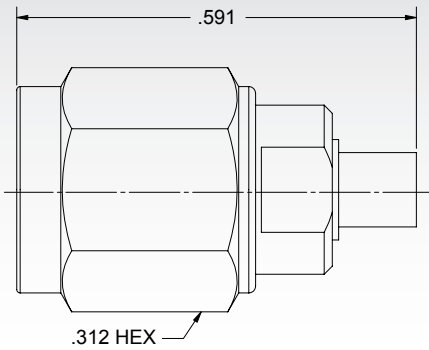
SMPS SERIES

Female to Female Bullet



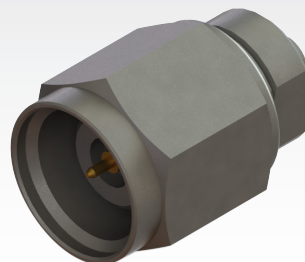
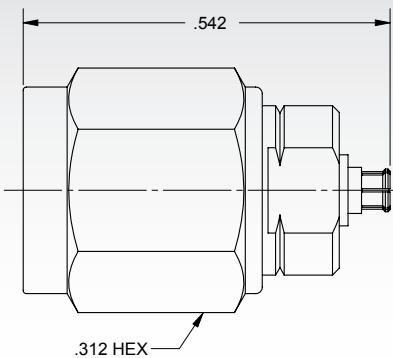
| P/N | L |
|-----------|-------|
| 1138-4001 | .098" |
| 1138-4002 | .118" |
| 1138-4003 | .134" |
| 1138-4004 | .188" |

SMPS Male to 2.4mm Male Adapter



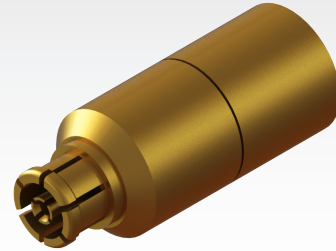
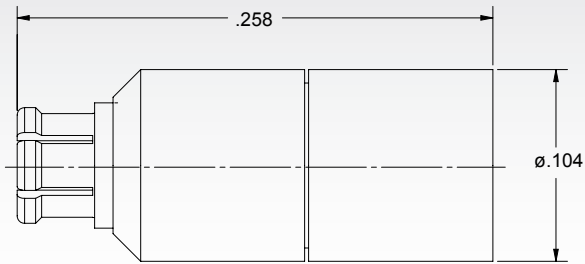
| Detent | P/N |
|--------|-------------|
| SB | SF1116-6023 |
| FD | SF1116-6024 |

SMPS Female to 2.4mm Male Adapter



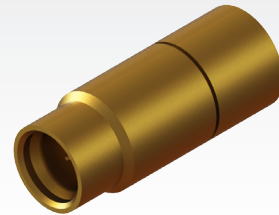
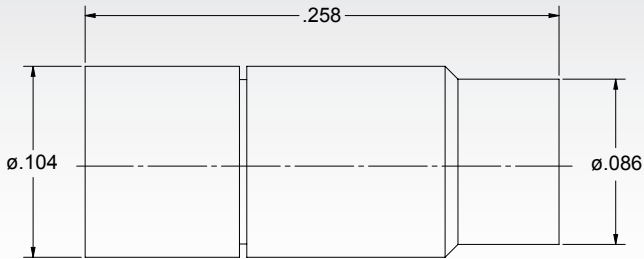
| P/N |
|-------------|
| SF1116-6025 |

Female Termination



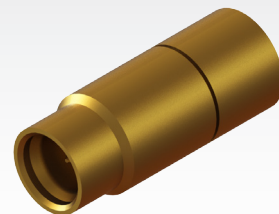
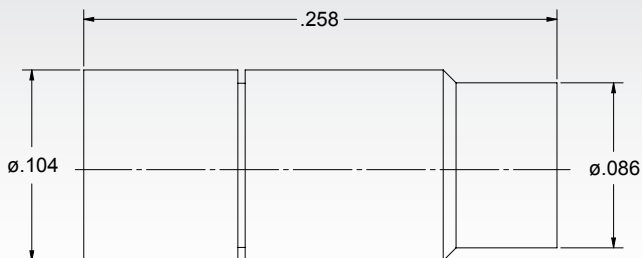
| P/N |
|-----------|
| 8038-4001 |

Male Termination



| Detent | P/N |
|--------|-----------|
| SB | 8038-6003 |
| FD | 8038-6004 |

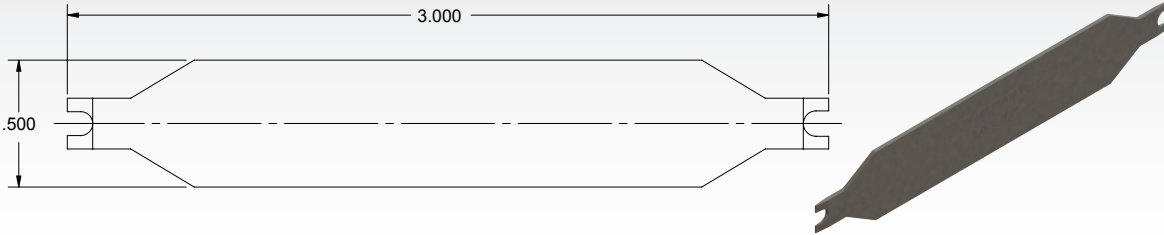
Male Short



| Detent | P/N |
|--------|-----------|
| SB | 8038-6005 |
| FD | 8038-6006 |

SMPS SERIES

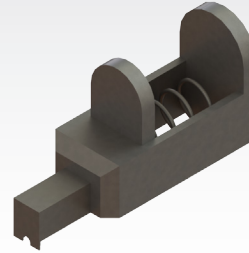
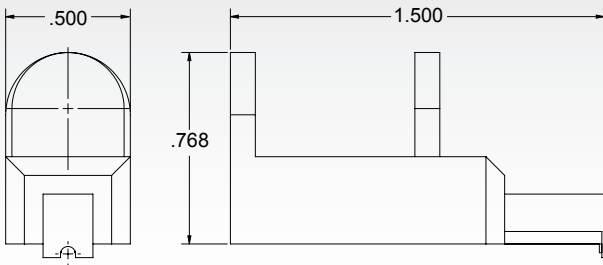
Female Cable Removal Tool



P/N

500-38-002

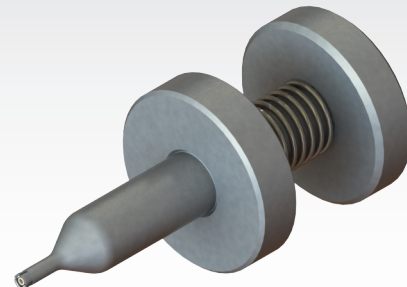
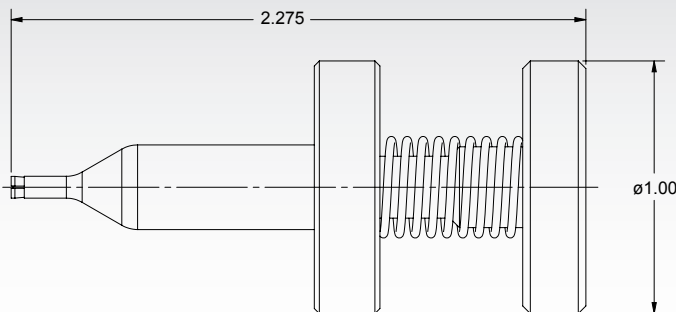
Female Removal Tool



P/N

500-38-003

Female Bullet Removal Tool



P/N

500-38-004

