



Amphenol NEXUS Technologies, Incorporated

316 Courtland Ave.

Stamford, CT 06906

Phone: 203-327-7300

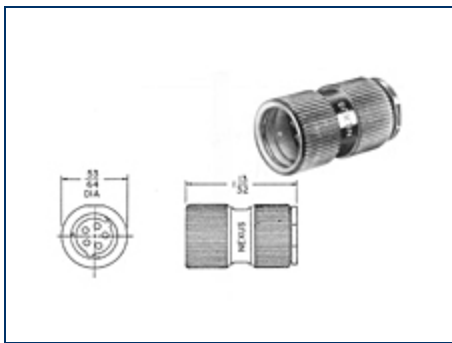
Fax: 203-324-7623

Email: salesinfo@nexus.com

Website: www.nexus.com

Item # AP-105, Audio Plugs (MIL-C-55116)

Mates with U-183/U and U-228/U. Use with molded rubber strain relief. AP-106 is the same as above except it has six conductors.



Specifications

Number of Contacts	5
Application	Ruggedized Commercial / Military
Overall Diameter	.828 in
Overall Length	1.406 in
Standard	MIL-C-55116
Alternate P/N	U-182 B/U
Connector Style	Plug
Contact Types	Crimp
Strain Relief	Molded
Shell Material	Stainless Steel, 303, Passivated

Mating	Bayonet Coupling
Mating Cycles	3000
Temperature	-55 to 85 °C
Insert Material	Thermoset Plastic
Contact Material	Gold-plated Brass / Silver-plated BeCu (Springs)
Current Rating	0.5 A
Voltage Rating Maximum	60 V
Contact Depression	1.25-1.75 lbs per contact
Contact Resistance Maximum	.050 Ω
Insulation Resistance	1000 megaohms min, except for connectors unmated after immersion test shall not be less than 100 megaohms
Dielectric Withstanding Voltage; Sea Level (RMV)	500 V
Water Immersion	6 feet of water up to 48 hours (mated and unmated)