

Technical data sheet

Actuator sensor interface · USB Panel pass through devices

USB 3.0 panel connector with M22 thread for front installation
USB connector Type A on straight USB plug Type A with PVC cable



Identification

Type USB-3.0 A/A F/M 0,3m PVC
Part No. [490113.0030](#)

Product version

Datasheet version 00

General

Design	USB-A
Form male 1	USB 3.0 female Type A
Form male 2	USB 3.0 male Type A
Degree of pollution	3
Contact resistance	<30 mΩ
Degree of protection	IP65 UL50E Typ 2, 3R, 4, 4X, 12, 13 in closed and IP20 in inserted position
Housing material	PA, PVC
Cover	TPU
Contact material	CuSn, gold-plated
Mounting	Front installation
Installation depth	approx.70 mm
Number of conductors/cross-section	(2×AWG24 + 1×2×AWG28 + 2×(1×2×AWG28)St)StC
Jacket material	PVC
Jacket color	black
Cable diameter	6.1 mm
Bending radius	6×D
Operation temperature range	-5 °C ... +70 °C
Temperature range fixed	-25 °C ... +80 °C
Temperature range moving	-5 °C ... +70 °C

United Kingdom: LÜTZE Ltd.

Unit 3, Sandy Hill Park
Sandy Way, Amington · GB-Tamworth, Staffs B77 4DU
Tel. +44 (0)1827 31333-0 · Fax +44 (0)1827 31333-2
www.lutze.com · sales.gb@lutze.co.uk

Germany: Friedrich Lütze GmbH

Postfach 12 24 (PLZ 71366) · Bruckwiesenstraße 17-19 · D-71384 Weinstadt
Tel. +49 (0)7151 6053-0 · Fax +49 (0)7151 6053-277(-288)
www.luetze.de · info@luetze.de

03.05.2022 · Subject to technical modification
Part No. [490113.0030](#) · Datasheet version: 00

Technical data sheet

Actuator sensor interface · USB Panel pass through devices

Dimensions (Ø×d)	29.5 × 45 mm
Mechanical service life	1500 insertion cycles
Weight/unit	0.046 kg
PU (units)	1

Technical data

Rated voltage U_N	AC/DC 5 V
Operating voltage max.	30 V
Rated current	0.9 A
Pole number	9
Cable length	0.3 m
Transfer rate	5 Gbit/s
USB standard	3.0
Contact type	1 : 1
Shielding	shielded

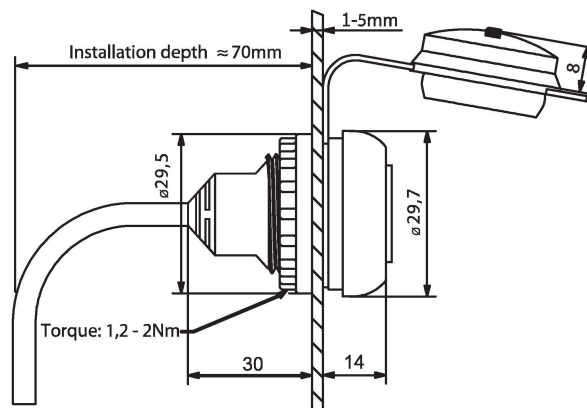
Certifications/Standards

Certifications	cULus Listed (E326112)
----------------	------------------------

Equipment/Spare parts

Accessories	Included in the delivery: attached safety cap
-------------	--

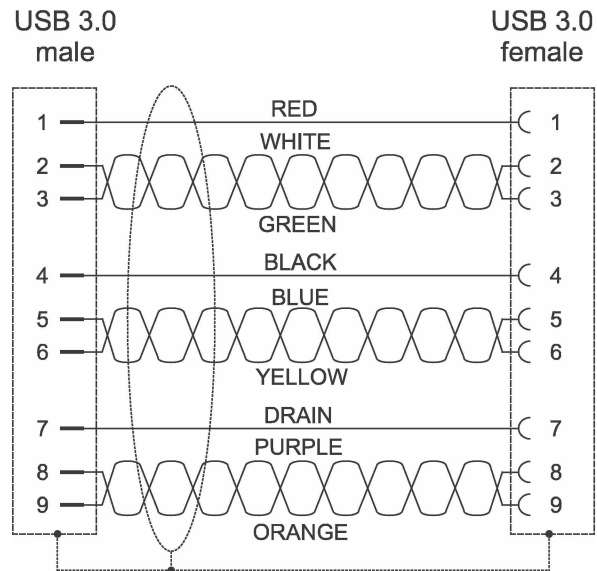
Dimensions



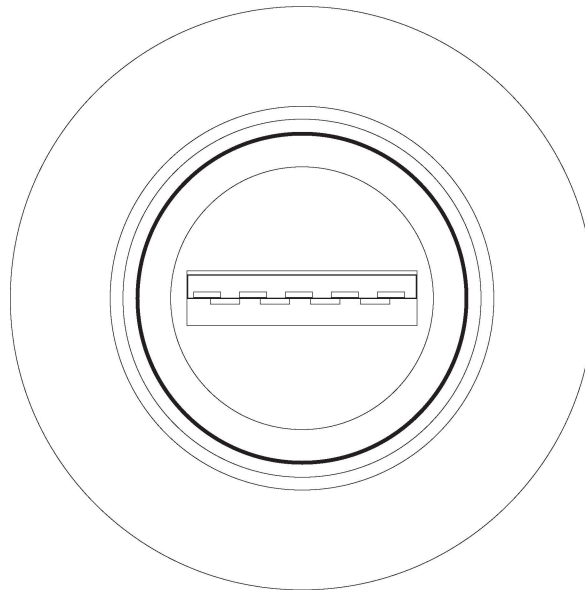
Technical data sheet

Actuator sensor interface · USB Panel pass through devices

PIN assignment



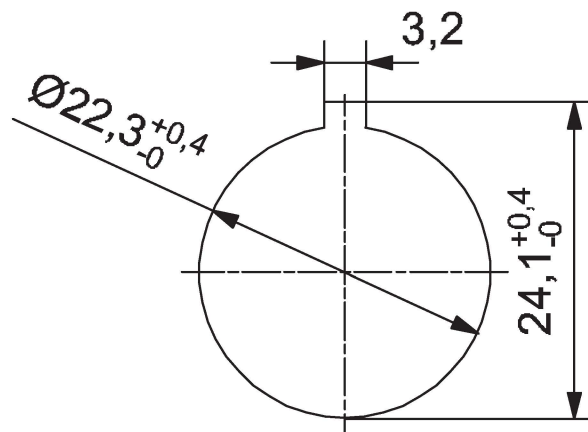
Front view



Technical data sheet

Actuator sensor interface · USB Panel pass through devices

Mounting diagram



Pin layout

