

Technical data sheet

Interface Technology · LCIS Mechanical Relay

Output Relay Interface, relay with 1 directional contact / SPDT relay
AC/DC 250 V, 6 A, 1500 VA / 144 W
Screw terminal / Push-In, contact material: AgSnO₂



Identification

Type	LCIS-RGA24UP-S-1U
Part No.	760021.0000

Product version

Hardware revision	1.0
Datasheet version	04

Input

Rated voltage U_N	AC/DC 24 V
Input voltage range	19.2 V – 30 V
Rated frequency f_N	50 Hz / 60 Hz
Rated current I_N	10.6 mA
Protection device Input	Bridge rectifier
Max. length of connecting lead	DC: 1000 m / AC: 500 m
Status display input	LED green
Interrupting voltage	<2.0 V

Output

Contact type	1 changeover contacts / SPDT
Switching element	Relays
Min. switching voltage	AC/DC 17 V
Max. switching voltage	AC/DC 250 V
Min. switching current	AC/DC 5 mA
Max. switching current	AC/DC 6 A

United Kingdom: LÜTZE Ltd.

Unit 3, Sandy Hill Park
Sandy Way, Amington • GB-Tamworth, Staffs B77 4DU
Tel. +44 (0)1827 31333-0 • Fax +44 (0)1827 31333-2
www.lutze.com • sales.gb@lutze.co.uk

Germany: Friedrich Lütze GmbH

Postfach 12 24 (PLZ 71366) • Bruckwiesenstraße 17-19 • D-71384 Weinstadt
Tel. +49 (0)7151 6053-0 • Fax +49 (0)7151 6053-277(-288)
www.luetze.de • info@luetze.de

Technical data sheet

Interface Technology · LCIS Mechanical Relay

Switching capacity DC 13	1 A @ 24 V 200 mA @ 125 V 100 mA @ 250 V
Switching capacity AC 15	3 A
Max. switching capacity	1500 VA / 144 W
Contact material	AgSnO ₂
Mechanical service life	> 10 x 10 ⁶ operations
Switch-on delay	5 ms
Shutdown delay	10 ms
Protection device	None
Max. length of connecting lead	DC: 1000 m / AC: 500 m
Degree of protection	IP20

General

Housing material	PA 6.6 (UL 94 V-0)
Color of the housing	RAL 7012 Basalt grey
Degree of protection	IP20
Mounting	DIN rail mountable TS35 (EN 60715)
Installation position	Any
Insulation voltage input / output	4.0 kV _{eff}
Safe isolation	yes
Clearance/creepage dist. (control/ load side)	>5.5 mm
Rated insulation voltage (EN 50178)	300 V
Connection type	Screw terminal Single wire 0.25 mm ² – 2.5 mm ² / AWG 24–14 Fine stranded wire with ferrule 0.25 mm ² – 1.5 mm ² / AWG 24–16
Strip length	6 mm
Dimensions (w × h × d)	6.2 mm × 93.0 mm × 73.0 mm
Weight/unit	0.03 kg
PU (units)	5

General ambient conditions

Operation temperature range	-25 °C ... +60 °C
Storage temperature range	-40 °C ... +80 °C
Relative air humidity	20 – 90 % RH, not condensing
Vibration resistance	0.7 g acc. to EN 60068-2-6
EMC tests	Class B

Certifications/Standards

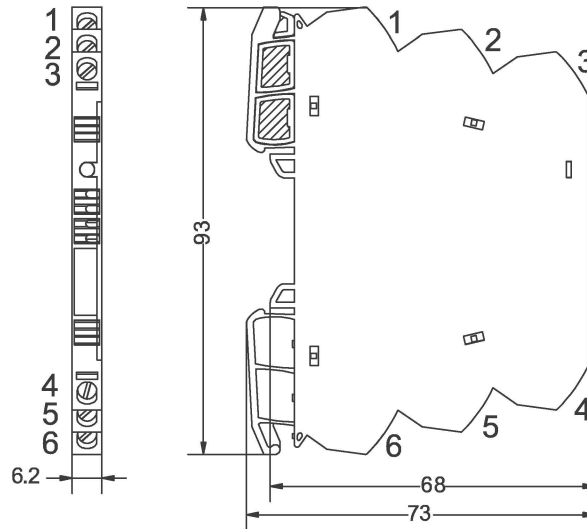
Conformity	CE UKCA
------------	------------

Technical data sheet

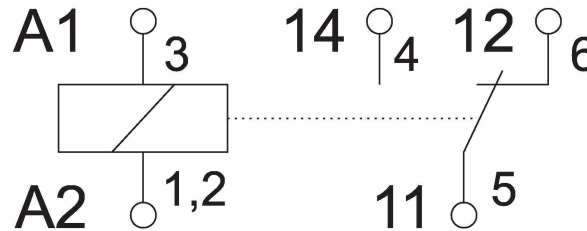
Interface Technology · LCIS Mechanical Relay

Certifications	cULus (E135145) DNV (TAA000024Y)
Standards	EN 60947-1 EN 60947-5-1 EN 61000-6-2 EN 61000-6-4 UL 508 DNV-CG-0339

Dimensions



PIN assignment



Use

