



CATALOGUE

USB/Micro USB



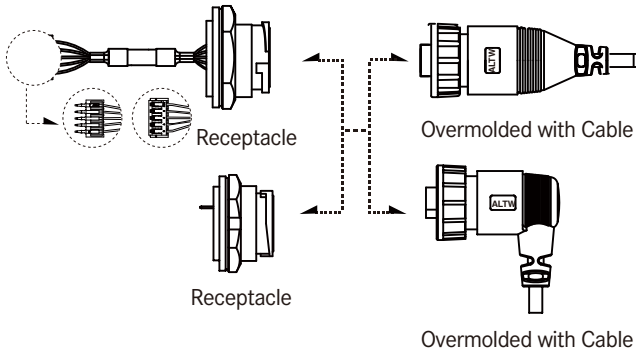
USB Type C



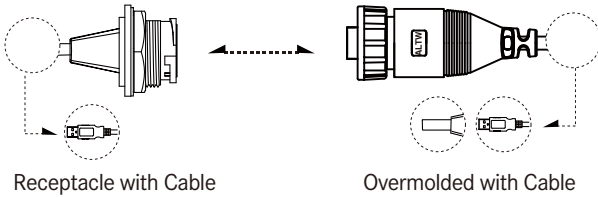
Micro USB

Range Overview

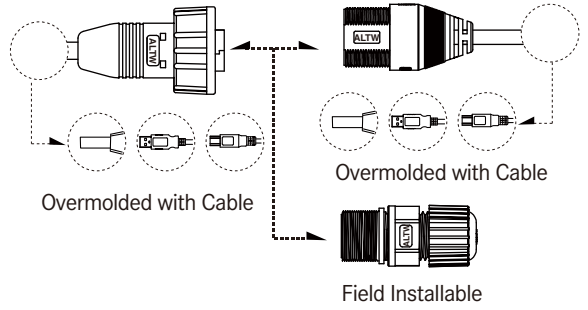
Receptacle to Overmolded with Cable



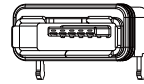
Receptacle with Cable to Overmolded with Cable



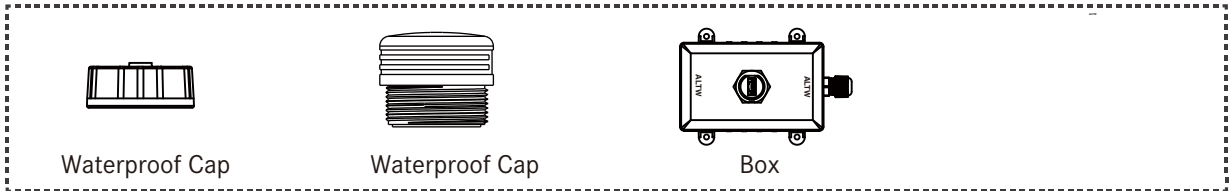
In-Line



Micro USB



Accessories



【Note】 Design and specification are subject to change without notice.

Specification | USB Type A/B

Identifications	USB Type A 3.0 USB Type A 2.0 USB Type B 2.0 Mini USB Type B 2.0
Description	Receptacle Receptacle With Cable Overmolded with Cable Field Installable
Current Rating / Data	USB 2.0: 1.5A USB 3.0: 1A
Material	Contacts: Copper Alloy, Gold Plated Connector Body (Housing): PBT, UL94V-0
Waterproof Rating	IP67/68
Temperature Range	Receptacle: Nylon+GF: -40°C~105°C M-PPE: -40°C~105°C ABS: -20°C~80°C Receptacle with cable: Nylon+GF: -20°C~105°C ABS: -20°C~80°C Overmolded with Cable: -20°C~80°C Field Installable: -20°C~80°C
Contact Resistance	≤ 30mΩ
Insulation Resistance	≥ 1000MΩ at DC500V
More to know	Standard Cable Length - USB 2.0: 1 ~ 5m - USB 3.0: 1 ~ 3m - Mini USB: 1 ~ 4m

Specification | USB Type C

Identifications	USB Type C 3.1
Description	Receptacle Overmolded with Cable
Current Rating / Data	3A
Material	Contacts: Copper Alloy, Gold Plated Connector Body (Housing): PP, UL94V-0, f1 Rated
Waterproof Rating	IP68
Temperature Range	-40°C ~ 105°C
Contact Resistance	≤ 50mΩ
Insulation Resistance	≥ 100MΩ at DC500V
More to know	Standard Cable Length: 1 ~ 3m

【Note】 Design and specification are subject to change without notice.

Ordering Information | USB & Mini USB

	1	2	3	4	5	6	7	8	9	10
Specification	(UA) USB Type A	(UC) USB Type C								
	(UB) USB Type B	(NUB) Mini USB Type B								
Data Transfer Rate	(20) 2.0	(G1) 3.1 Gen 1 (Plug)								
	(30) 3.0	(G2) 3.1 Gen 2 (Plug)								
	(31) 3.1 (Jack)									
Connector Body (Style)	<u>> For Receptacle</u>		<u>> For Overmolded with Cable</u>							
	(P) Front Fastened	(A) With Strain Relief								
	<u>> For Field installable</u>	(B) Without Strain Relief								
	(B) Without Strain Relief									
Connector (Housing) Gender	(M) Male	(F) Female								
Contact Gender	(M) Male (Plug)	(F) Female (Jack)								
Assemble Style	<u>> For Receptacle</u>		<u>> For Overmolded with Cable</u>							
	(P) 180° PCB Type	(M) Overmolded with Cable								
	(R) 90° PCB Type	<u>> For Field Installable</u>								
	(J) Jack	(A) Field installable (Solder)								
Mating Style	(S) Screw Thread	(L) 2 Points Lock Bayonet (Nut OD: 28.5mm)								
	(N) 2 Points Lock Bayonet (Nut OD: 25.4mm)	(Q) Quick Lock								
Backshell	<u>> For Receptacle</u>		<u>> For Overmolded with Cable</u>		<u>> For Field Installable</u>					
	(C) Circular	(L) Straight	(R) Right Angle		(L) Straight					
	(S) Square									
Waterproof Rating	(7) IP 67									
	(8) IP 68									
More Information	<u>> For Receptacle</u>		<u>> For Overmolded with Cable</u>							
	(001) Without Cable	(<input type="checkbox"/>)+(<input type="checkbox"/>) : Cable Type + Cable Length								
	(002) With Cable (Harness: 50mm)	e.g. (A01) = USB 2.0 Cable + 1M								
	<input type="checkbox"/> : Cable Type	<input type="checkbox"/> : Cable Length								
	(A) USB 2.0 Cable	USB 2.0: From 1m to 5m								
	(B) USB 3.0 Cable	USB 3.0: From 1m to 3m								
	(C) USB 3.1 Cable	Mini USB 2.0: From 1m to 4m								
		e.g. (01) = 1M								

Ordering Information | USB | Double-ended

ALTW waterproof connector to ALTW waterproof connector

ALTW waterproof connector to Standard USB connector (None Waterproof)

	1 — 2	3	4	5 — 6	7	8	9
Specification (1st End)							
(UA) USB Type A	(UC) USB Type C						
(UB) USB Type B							
Data Transfer Rate							
(20) 2.0	(G1) 3.1 Gen 1 (Plug)						
(30) 3.0	(G2) 3.1 Gen 2 (Plug)						
(31) 3.1 (Jack)							
Connector Body (Style)							
> For Receptacle		> For Overmolded with Cable					
(P) Front Fastened	(A) With Strain Relief						(B) Without Strain Relief
Connector (Housing) Gender							
(M) Male	(F) Female						
Contact Gender							
(M) Male (Plug)	(F) Female (Jack)						
Mating Style							
(S) Screw Thread	(L) 2 Points Lock Bayonet (Nut OD: 28.5mm)					(Q) Quick Lock	
Specification (2nd End)							
(A) USB Type A 2.0 (Plug, Non-waterproof)	(E) USB Type C 3.1 Gen1 (Plug, Waterproof)						
(B) USB Type B 2.0 (Plug, Non-waterproof)	(F) USB Type C 3.1 Gen2 (Plug, Waterproof)						
(D) USB Type A 3.0 (Plug, Non-waterproof)							
Waterproof Rating							
(6) IP 66							
(7) IP 67							
(8) IP 68							
More Information							
> For Receptacle with Cable		> For Overmolded with Cable					
(□)+(■) : Cable Type + Cable Length		(□)+(■) : Cable Type + Cable Length					
e.g. (BX15) = USB 3.0 Cable + 150mm		e.g. (A01) = USB 2.0 Cable + 1M					
(□) : Cable Type	(■) : Cable Length	(□) : Cable Type		(■) : Cable Length			
(B) USB 3.0 Cable	USB 3.0: From 150mm to 300 mm	(A) USB 2.0 Cable	USB 2.0: From 1m to 5m		USB 3.0: From 1m to 3m		
	e.g. (15) = 150mm	(B) USB 3.0 Cable	USB 3.0: From 1m to 3m		e.g. (01) = 1M		
		(C) USB 3.1 Cable					

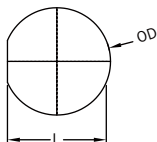
【Note】 Design and specification are subject to change without notice.

Physical Dimension | USB

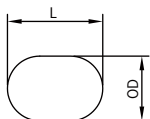
▾ Receptacle

Panel Cut-Out

Type A/B



Type C

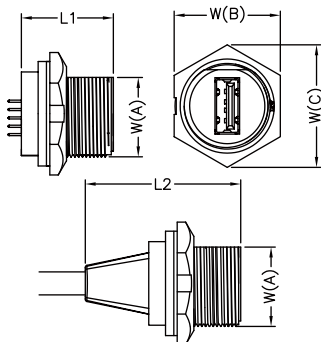


Type		Mating Style	Housing Gender	L	OD
USB2.0	Type A	Screw Thread	Male	19.4	20.8
		2 Points Lock Bayonet		19.4	20.8
	Type B	Screw Thread		19.4	20.8
		2 Points Lock Bayonet		23.6	25.6
USB3.0	Type A	Screw Thread		19.4	20.8
		2 Points Lock Bayonet		23.6	25.6
Mini USB	-	Screw Thread	14.8	15.6	
USB3.1	Type C	Quick	Female	16.7	11.3

* Maximum Panel Thickness: USB: 4mm | Mini USB: 2.5mm

Unit: mm

Connector Dimension

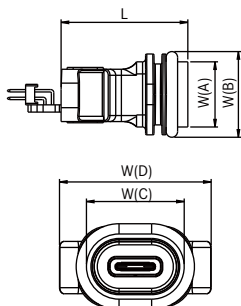


Receptacle with Cable

Type	Mating Style	Housing Gender	W(A)	W(B)	W(C)	L1	L2
USB2.0	Type A	Screw Thread	19.0	25.4	29.3	22.0	-
		2 Points Lock Bayonet	23.2	28.5	32.9	20.3	-
	Type B	Screw Thread	19.0	25.4	29.3	22.0	-
		2 Points Lock Bayonet	23.2	28.5	32.9	20.3	-
USB3.0	Type A	Screw Thread	19.0	25.4	29.3	-	37.2
		2 Points Lock Bayonet	23.2	28.5	32.9	-	37.5
Mini USB	-	Screw Thread	14.5	20.6	23.5	15.0	-

* USB: Screw | Middle Size (13/16"-28 UNS)
2 Points Lock Bayonet | Large Size (1"20 UNEF)
*Mini USB: Screw | Standard Size (5/8"-27 UNS)

Unit: mm

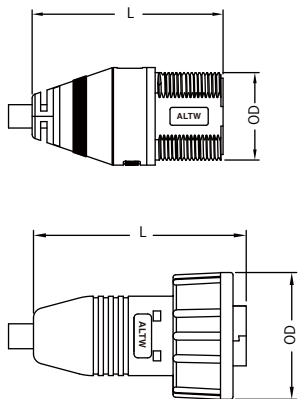


Type	Mating Style	Housing Gender	W(A)	W(B)	W(C)	W(D)	L1	
USB3.1	Type C	Quick	Female	10.8	14.2	19.6	25.1	21.0

*Recommended Screw Size: M2x0.4x10mmL (min.)

Unit: mm

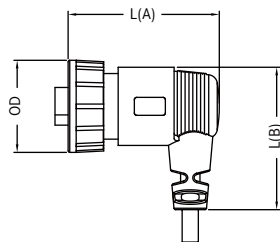
↳ **Overmolded with Cable**



Type		Mating Style	Housing Gender	L	OD
USB2.0	Type A	Screw Thread	Female	42.6	25.4
			Male	45.0	20.6
		2 Points Lock Bayonet	Female	73.3	28.5
			Male	-	-
	Type B	Screw Thread	Female	42.6	25.4
			Male	45.0	20.6
2 Points Lock Bayonet		Female	73.3	28.5	
		Male	-	-	
USB3.0	Type A	Screw Thread	Female	42.6	42.6
			Male	45.0	20.6
		2 Points Lock Bayonet	Female	75.0	28.5
			Male	-	-

* USB: Screw | Middle Size (13/16"-28 UNS)
 2 Points Lock Bayonet | Large Size (1"20 UNEF)
 *Mini USB: Screw | Standard Size (5/8"-27 UNS)

Unit: mm



Type		Mating Style	Housing Gender	L(A)	L(B)	OD
USB2.0	Type A	Screw Thread	Female	-	-	-
		2 Points Lock Bayonet		46.8	44.1	28.5
	Type B	Screw Thread		-	-	-
		2 Points Lock Bayonet		46.8	44.1	28.5
USB3.0	Type A	Screw Thread		-	-	-
		2 Points Lock Bayonet		-	-	-
Mini USB	-	Screw Thread		-	-	-

* USB: Screw | Middle Size (13/16"-28 UNS)
 2 Points Lock Bayonet | Large Size (1"20 UNEF)

Unit: mm

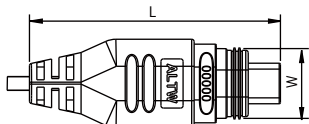
【Note】 Design and specification are subject to change without notice.

USB/Micro USB | Physical Dimension

USB Type A/B/C | Mini USB Type B

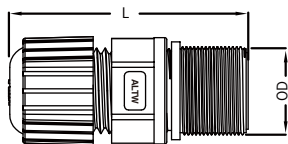
Receptacle | Overmolded with Cable | Field Installable

IP 67 . 68
Unmated or Mated



Type		Mating Style	Housing Gender	W	L
USB2.0/3.0	Type C	Quick Lock	Male	14.2	51.1

Unit: mm



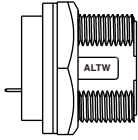
Type		Mating Style	Housing Gender	L	OD	
USB2.0	Type A	Screw Thread	Male	56.0	20.6	
		2 Points Lock Bayonet		-	-	
	Type B	Screw Thread		56.0	20.6	
		2 Points Lock Bayonet		-	-	
USB3.0	Type A	Screw Thread		-	-	
		2 Points Lock Bayonet		-	-	
Mini USB	-	Screw Thread			45.0	15.45

Unit: mm

- * USB: Screw | Middle Size (13/16"-28 UNS)
2 Points Lock Bayonet | Large Size (1"20 UNEF)
- * Mini USB: Screw | Standard Size (5/8"-27 UNS)

Product Features | USB

Receptacle



Backshell 8



Circular (C)

Mating Style 7



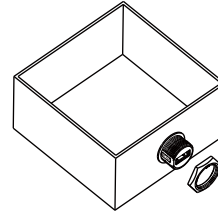
Screw Thread (S)



2 Points Lock Bayonet (L)
(Nut OD: 28.5mm)

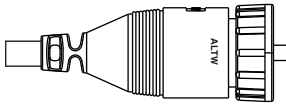
2 Points Lock Bayonet (N)
(Nut OD: 25.4mm)

Connector Body (Style) 3



Front Fastened (P)

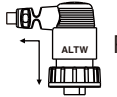
Overmolded with Cable



Backshell 8



Straight (L)



Right Angle (R)

Mating Style 7



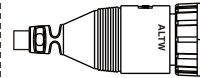
Screw Thread (S)



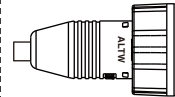
2 Points Lock Bayonet (L)
(Nut OD: 28.5mm)

2 Points Lock Bayonet (N)
(Nut OD: 25.4mm)

Connector Body (Style) 3

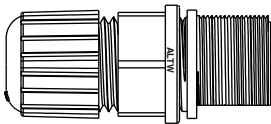


With Strain Relief (A)

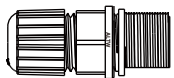


Without Strain Relief (B)

Field Installable



Backshell 8



Straight
(L)

Mating Style 7



Screw Thread (S)

Connector Body (Style) 3


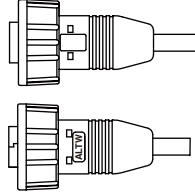
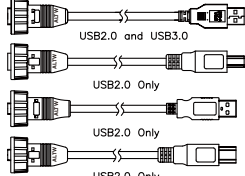


Without Strain Relief (B)


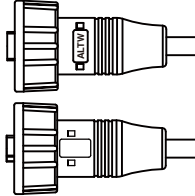
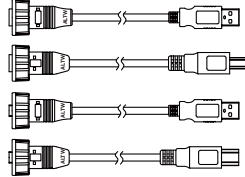
【Note】 Design and specification are subject to change without notice.

Find Our Standard Products | USB

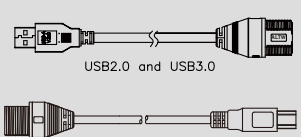
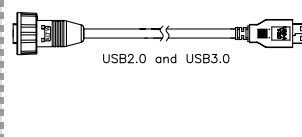
USB > In-line

<ul style="list-style-type: none"> • Male Connector (Housing) • Female Contacts • Screw Thread • Middle Size (13/16"-28 UNS) 	<p>Overmolded with Cable-----></p> 	<p>Overmolded with Cable -----></p> 	<p>Overmolded with Cable (Double-Ended)</p>  <p>USB2.0 and USB3.0 USB2.0 Only USB2.0 Only USB2.0 Only</p> <p>Non-Waterproof</p>
	<p>** USB 2.0: Choose the cable length from 01~05m ** USB 3.0: Choose the cable length from 01~03m</p>	<p>** USB 2.0: Choose the cable length from 01~05m ** USB 3.0: Choose the cable length from 01~03m</p>	<p>** USB 2.0: Choose the cable length from 01~05m ** USB 3.0: Choose the cable length from 01~03m</p>
Speed	Male Connector (M) Female Contacts (F)	Female Connector (F) Male Contacts (M)	Female Connector (F) Male Contacts (M)
USB Type A 2.0	UA-20AMFM-SL7AXX**	UA-20BFMM-SL7AXX**	UA-20BFM-SA7AXX** UA-20BFM-SB7AXX**
USB Type B 2.0	UB-20AMFM-SL7AXX**	UB-20BFMM-SL7AXX**	UB-20BFM-SA7AXX** UB-20BFM-SB7AXX**
USB Type A 3.0	UA-30AMFM-SL7BXX**	UA-30BFMM-SL7BXX**	UA-30BFM-SD7BXX**

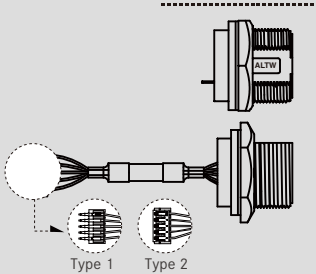
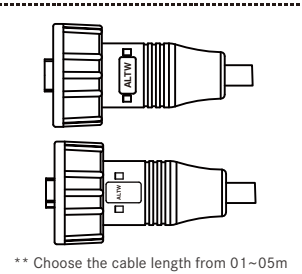
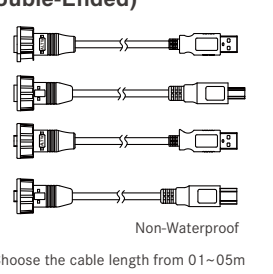
USB > In-line

<ul style="list-style-type: none"> • Male Connector (Housing) • Female Contacts • Screw Thread • Middle Size (13/16"-28 UNS) 	<p>Field Installable -----></p> 	<p>Overmolded with Cable -----></p> 	<p>Overmolded with Cable (Double-Ended)</p>  <p>Non-Waterproof</p>
	<p>** USB 2.0: Choose the cable length from 01~05m</p>	<p>** USB 2.0: Choose the cable length from 01~05m</p>	<p>** USB 2.0: Choose the cable length from 01~05m</p>
Speed	Male Connector (M) Female Contacts (F)	Female Connector (F) Male Contacts (M)	Female Connector (F) Male Contacts (M)
USB Type A 2.0	UA-20BMFA-SL8001	UA-20BFMM-SL7AXX**	UA-20BFM-SA7AXX** UA-20BFM-SB7AXX**
USB Type B 2.0	UB-20BMFA-SL8001	UB-20BFMM-SL7AXX**	UB-20BFM-SA7AXX** UB-20BFM-SB7AXX**

↳ **USB > In-line**

<ul style="list-style-type: none"> • Male Connector (Housing) • Female Contacts • Screw Thread • Middle Size (13/16"-28 UNS) 	<p>Overmolded with Cable-----></p> <p>Overmolded with Cable (Double-Ended)</p>  <p>USB2.0 and USB3.0</p>	<p>Overmolded with Cable (Double-Ended)</p>  <p>USB2.0 and USB3.0</p>	<p>Field Installable</p>
	<p>** USB 2.0: Choose the cable length from 01~05m ** USB 3.0: Choose the cable length from 01~03m</p>		
Speed	Male Connector (M) Female Contacts (F)	Female Connector (F) Male Contacts (M)	Female Connector (F) Male Contacts (M)
USB Type A 2.0	UA-20AMF-SA7AXX** UA-20AMF-SB7AXX**	UA-20BFM-SA7AXX** UA-20BFM-SA7AXX**	-
USB Type A 3.0	UA-30AMF-SD7BXX**	UA-30BFM-SD7BXX**	-
USB Type B 2.0	UB-20AMFM-SA7AXX** UB-20AMFM-SB7AXX**	UB-20BFM-SA7AXX** UB-20BFM-SB7AXX**	-

↳ **USB > Receptacle and Mating Pair**

<ul style="list-style-type: none"> • Male Connector (Housing) • Female Contacts • Screw Thread • Middle Size (13/16"-28 UNS) 	<p>Receptacle -----></p>  <p>Type 1 Type 2</p>	<p>Overmolded with Cable -----></p>  <p>** Choose the cable length from 01~05m</p>	<p>Overmolded with Cable (Double-Ended)</p>  <p>Non-Waterproof ** Choose the cable length from 01~05m</p>
	Speed	Male Connector (M) Female Contacts (F)	Female Connector (F) Male Contacts (M)
USB Type A 2.0	UA-20PMFP-SC8001 UA-20PMFP-SC8002 Type1 UA-20PMFP-SC8003 Type2	UA-20BFMM-SL7AXX**	UA-20BFM-SA7AXX** UA-20BFM-SB7AXX**
USB Type B 2.0	UB-20PMFP-SC8001 UB-20PMFP-SC8002 UB-20PMFP-SC8003	UB-20BFMM-SL7AXX**	UB-20BFM-SA7AXX** UB-20BFM-SB7AXX**

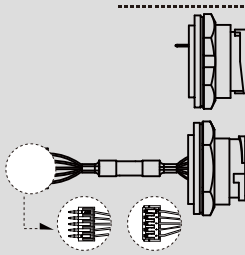
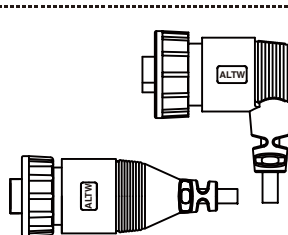
[Note] Design and specification are subject to change without notice.

USB Type A | Type B

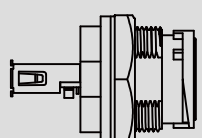
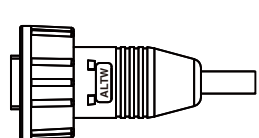
Receptacle and Mating Pair
2 Points Lock Bayonet
Large Size

IP 67 . 68
Unmated or Mated

↳ **USB > Receptacle and Mating Pair**

<ul style="list-style-type: none"> • Male Connector (Housing) • Female Contacts • 2 Points Lock Bayonet (Nut OD: 28.5mm) • Large Size (1"20 UNEF) 	<p>Receptacle</p>  <p>Type 1 Type 2</p>	<p>Overmolded with Cable</p>  <p>** Choose the cable length from 01~05m</p>	Field Installable
	Speed	Male Connector (M) Female Contacts (F)	Female Connector (F) Male Contacts (M)
USB Type A 2.0	UA-20PMFP-LC7001 UA-20PMFP-LC7002 Type1 UA-20PMFP-LC7003 Type2	UA-20AFMM-LL7AXX** UA-20AFMM-LR7AXX**	-
USB Type B 2.0	UB-20PMFP-LC7001 UB-20PMFP-LC7002 UB-20PMFP-LC7003	UB-20AFMM-LL7AXX** UB-20AFMM-LR7AXX**	-

↳ **USB > Receptacle and Mating Pair**

<ul style="list-style-type: none"> • Male Connector (Housing) • Female Contacts • 2 Points Lock Bayonet (Nut OD: 25.4mm) • Large Size (13/16-28 UN) 	<p>Receptacle</p> 	<p>Overmolded with Cable</p>  <p>** Choose the cable length from 01~05m</p>	Field Installable
	Speed	Male Connector (M) Female Contacts (F)	Female Connector (F) Male Contacts (M)
USB Type A 2.0	UA-20PMFJ-NC7001	UA-20BFMM-NL7AXX**	-

➤ USB > Receptacle with Cable and Mating Pair

<ul style="list-style-type: none"> • Male Connector (Housing) • Female Contacts • Screw Thread • 2 Points Lock Bayonet (Nut OD: 28.5mm) • Large Size (1"20 UNEF) 	<p>Receptacle with Cable (Double-Ended)</p> <p>Non-Waterproof</p> <p>* USB 3.0: Choose the cable length from 150~300mm</p>	<p>Overmolded with Cable</p> <p>** USB 3.0: Choose the cable length from 01~03m</p>	<p>Overmolded with Cable (Double-Ended)</p> <p>** USB 3.0: Choose the cable length from 01~03m</p>
	Speed	Male Connector (M) Female Contacts (F)	Female Connector (F) Male Contacts (M)
USB Type A 3.0	UA-30PMF-LD7BXX* UA-30PMF-SD7BXX*	UA-30AFMM-LL7BXX** UA-30BFMM-SL7BXX**	UA-30BFM-SD7BXX** UA-30AFM-LD7BXX**

➤ USB > Receptacle and Mating Pair

<ul style="list-style-type: none"> • Female Connector (Housing) • Female Contacts • Quick Lock • Speed of Jack: USB Type C 3.1 	<p>Receptacle</p>	<p>Overmolded with Cable (Double-Ended)</p> <p>1st End 2nd End</p> <p>② Choose the data transfer rate (G1) 3.1 Gen 1 or (G2) 3.1 Gen 2 *XX: Choose the cable length from 01~03m</p>	<p>Field Installable</p>
	Speed of Plug	Female Connector (F) Female Contacts (F)	Male Connector (M) Male Contacts (M)
1st End: USB Type C 3.1 Gen 1/Gen 2 2nd End: USB Type C 3.1 Gen 1/Gen 2	UC-31PFFP-QS8001	UC-② AMM-QE8CXX* UC-② AMM-QF8CXX*	-
1st End: USB Type C 2.0 2nd End: USB Type A 2.0	-	UC-20AMM-QA8AXX*	-
1st End: USB Type C 3.0 2nd End: USB Type B 2.0	-	UC-30AMM-QD8BXX*	-

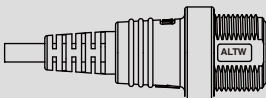
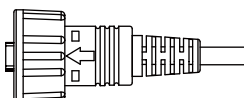
[Note] Design and specification are subject to change without notice.

Mini USB Type B

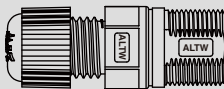
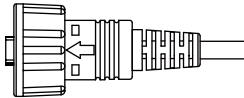
In-line
Screw Thread
Standard Size

IP 67 . 68
Unmated or Mated

↳ Mini USB > In-line

<ul style="list-style-type: none"> • Male Connector (Housing) • Female Contacts • Screw Thread • Standard Size (5/8"-27 UNS) 	<p>Overmolded with Cable-----></p>  <p>** Choose the cable length from 01~04m</p>	<p>Overmolded with Cable-----></p>  <p>** Choose the cable length from 01~04m</p>	Field Installable
	Speed	Male Connector (M) Female Contacts (F)	Female Connector (F) Male Contacts (M)
Mini USB Type B 2.0	NUB-20AMFM-SL7AXX**	NUB-20AFMM-SL7AXX**	-

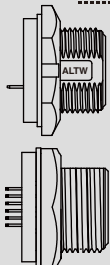
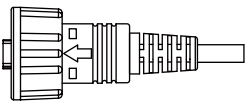
↳ Mini USB > In-line

<ul style="list-style-type: none"> • Male Connector (Housing) • Female Contacts • Screw Thread • Standard Size (5/8"-27 UNS) 	<p>Field Installable -----></p> 	<p>Overmolded with Cable-----></p>  <p>** Choose the cable length from 01~04m</p>	Field Installable
	Speed	Male Connector (M) Female Contacts (F)	Female Connector (F) Male Contacts (M)
Mini USB Type B 2.0	NUB-20BMFA-SL7001	NUB-20AFMM-SL7AXX**	-

Mini USB Type B

Receptacle and Mating Pair
Screw Thread
Standard Size

↳ **Mini USB > Receptacle and Mating Pair**

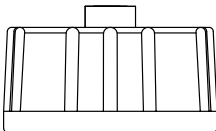
<ul style="list-style-type: none"> • Male Connector (Housing) • Female Contacts • Screw Thread • Standard Size (5/8"-27 UNS) 	<p>Receptacle -----></p> 	<p>Overmolded with Cable -----></p> 	<p>Field Installable</p>
	<p>** Choose the cable length from 01-04m</p>		
Speed	Male Connector (M) Female Contacts (F)	Female Connector (F) Male Contacts (M)	Female Connector (F) Male Contacts (M)
Mini USB Type B 2.0	NUB-20PMFP-SC7001 NUB-20PMFR-SC7001	NUB-20AFMM-SL7A <u>XX</u> **	-

【Note】 Design and specification are subject to change without notice.

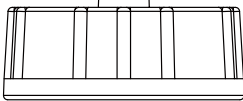
Accessories

▾ USB A/B Type > Waterproof Cap

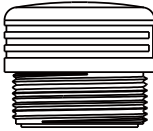
■ Customized - Upon Request



* USB Screw (Mating Pair: Male)



2 Points Lock Bayonet



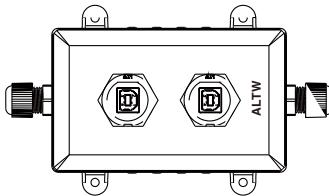
* USB Screw (Mating Pair: Female)

⑥ More to choose: None (A) / With Chain (B) / With Rubber Lead (C) / With Fish Line (D)

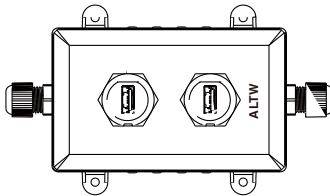
Type	Mating Pair	Mating Style	Mating Pair (Gender)	P/N
USB 2.0 Type A USB 2.0 Type B USB 3.0 Type A	Receptacle	Screw Thread	Male	CAP-WACMSP ⑥ 1
		2 Points Lock Bayonet (1"20 UNEF)	Male	CAP-WADMLP ⑥ 1
	Receptacle and Overmolded with Cable	Screw Thread	Male	CAP-WACMSMA1
		2 Points Lock Bayonet (1"20 UNEF)	Male	CAP-WADMLMA1
Overmolded with Cable	Screw Thread	Female	CAP-WUSFSCC1	
USB 2.0 Type A	Receptacle	2 Points Lock Bayonet (13/16"-28 UNS)	Male	CAP-WCCMLMA1 CAP-WCCMLPB1 CAP-WCCMLPC1

▾ USB A/B Type > Box

■ Customized - Upon Request



USB Type B 2.0



USB Type A 2.0

Type	Ports	P/N
USB Type A 2.0	1	BOX-USA11
	2	BOX-USA22
	4	BOX-USA44
USB Type B 2.0	1	BOX-USB11
	2	BOX-USB22
	4	BOX-USB44

Specification | Micro USB

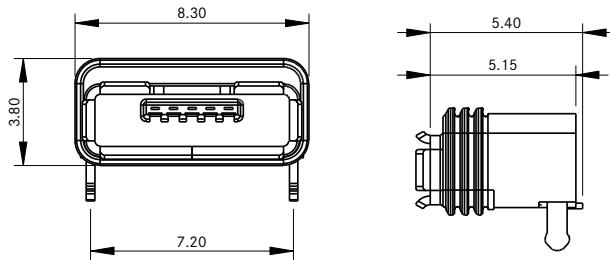
Identifications	Micro USB: AB Type
Description	Receptacle
Current Rating	1pin & 5pin: 1.8A 2pin, 3pin & 4pin: 1A
Materials	Contacts: Copper Alloy, Gold Plated Connector Body (Housing): Nylon, Black Shell: Stainless, Gold Plated Inner Gasket: Silicone, Transparent Outside Gasket: Silicone, Transparent
Waterproof Rating	IP67/68
Temperature Range	-30°C ~ 85°C
Contact Resistance	≤30mΩ
Insulation Resistance	≥ 1000MΩ at 100Vdc
Durability	10,000 Cycles
More to Know	SMT Temperature & Time: 260°C/5Sec

【Note】 Design and specification are subject to change without notice.

Ordering Information | Micro USB

	1	2	3	4	5	6	7	8	9	10
Specification										
(MUC) Micro USB										
Data Transfer Rate										
(20) 2.0										
Connector Body (Style)										
> For Receptacle										
(P) Front Fastened										
Connector (Housing) Gender										
(F) Female										
Contact Gender										
(F) Female (Jack)										
Assemble Style										
> For Receptacle										
(R) 90° PCB Type										
Mating Style										
(J) For Joint										
Backshell										
> For Receptacle										
(S) Square										
Waterproof Rating										
(70) IP67 (1M depth of water in 30min)										
(8A) IP68 (1M depth of water in 24hrs)										
(8B) IP68 (5M depth of water in 24hrs)										
(8C) IP68 (10M depth of water in 3hrs)										
More information										
(01), (02)....										
Without Cable: Different Versions										

Physical Dimension | Micro USB



Unit: mm

Find Our Standard Products | Micro USB

▾ Micro USB

Waterproof Rating	Part Number
IP67 (1M, 30mins)	MUC-20PFFR-JS7002
IP68 (1M, 24hrs)	MUC-20PFFR-JS8A02
IP68 (5M, 24hrs)	MUC-20PFFR-JS8B02
IP68 (10M, 3hrs)	MUC-20PFFR-JS8C02

【Note】 Design and specification are subject to change without notice.

Amphenol LTW Technology Co., Ltd.

5F-3, No.51, Sec.4, Zhongyang Rd., Tucheng Dist., New Taipei City 236, Taiwan
Telephone: +886-2-77416888 Fax: +886-2-77416999
www.amphenolltw.com

Kunshan Factory

No. 62, DaTong Road, Development Zone, Kunshan City, JiangSu Province, 215333 China
Telephone: +86-512-5761-0501
Fax: : +86-512-5761-0515

For further information, please contact :

Sales & Marketing Department | Email : sales@ltw-tech.com