

HC Signal Connector

HC Series Connectors

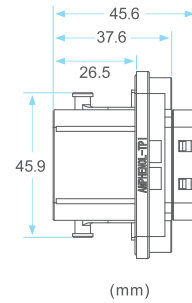
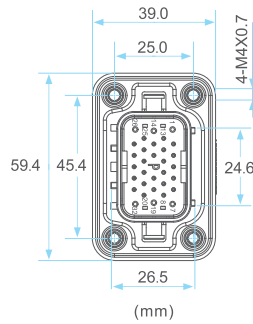
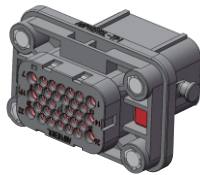
Amphenol HC Signal Series connectors are designed as a high performance, cost effective solution for the signal and power transmission for PDU in battery pack. The connector has integrated both signal and power transmission in one body.

Key Features	Technical Data	Typical Applications
<ul style="list-style-type: none"> Colored Body and Enhanced Rib for Blind Mating Up to IP68 Protection(mated) Scalable Pin Count Per Specific Requirement⁽¹⁾ Available with Key A, B and C Option Available with CPA Option 	<ul style="list-style-type: none"> Pin Count: 32pin Current Rating: Power: 13A MAX Signal: 5A MAX Cable Size: Power: 16~18 AWG Signal: 20~22AWG Dielectric Withstanding Voltage: 3000VDC Operating Temperature: -40°C - +125°C IP Rating: IP6K9K、IP68(mated, subersion in 1M depth water with 48 hours.) Mating Cycle: 100Min Air leakage: 60KPa Fire Classification: UL94V0 	<ul style="list-style-type: none"> Signal and Power Transmission for PDU

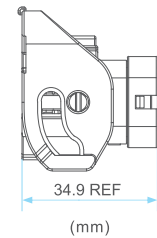
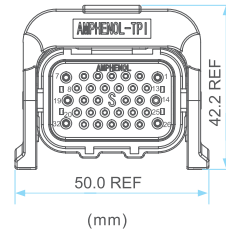
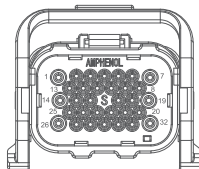
(1) Offer pin plug for unused pin seal

Dimensions

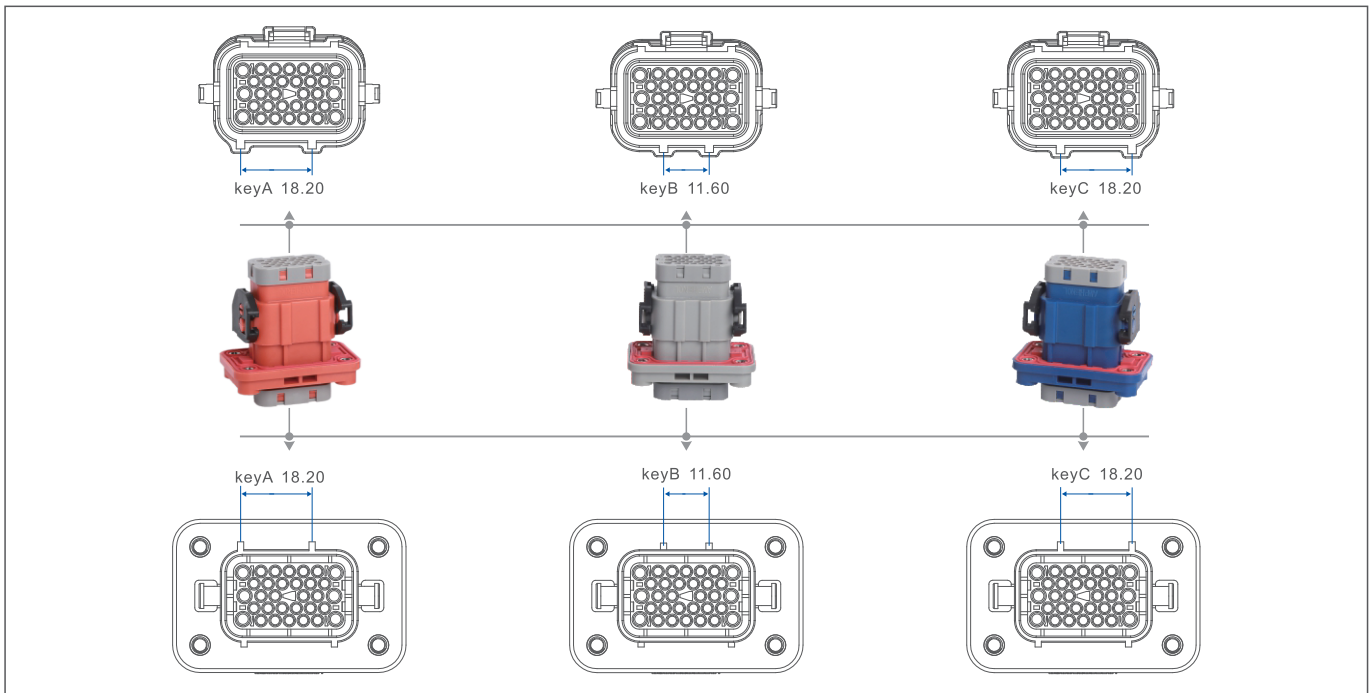
32POS Connector Receptacle



32POS Connector Plug



HC Signal Key Map



Ordering Information

Product Type		Connector Type		Polarization	Series	Installation Type	
HC	HC Signal	08	Receptacle Connector	A B C	P32	32POS	R Rear mounted

Terminal & Cable & Seal Plug Options

Receptacle	Terminal Type	Terminal Part Number	Plating Type	Wire gauge	Wire OD range	Seal Type	Seal Part Number
HC08A-P32R	16#(power)	HCTM16161	Gold Plating	16-18 AWG	2.24-3.00mm	16#(power)	AC-CP000383
HC08B-P32R		HCTM16164	Tin Plating				
HC08C-P32R	20#(signal)	HCTM20101	Gold Plating	20-22 AWG	1.35-2.50mm	20#(signal)	AC-CP000382
		HCTM20104	Tin Plating				

Product Type		Connector Type		Polarization	Series	CPA	
HC	HC Signal	18	Plug Connector	A B C	S32	32POS	Blank Without CPA 2 With CPA

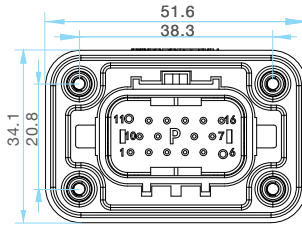
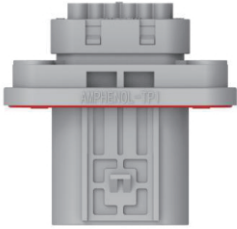
Terminal & Cable & Seal Plug Options

Plug		Terminal Type	Terminal Part Number	Plating Type	Wire gauge	Wire OD range	Seal Type	Seal Part Number
HC18A-S32	HC18A-S32-2	16#(power)	HCTF16161	Gold Plating	16-18 AWG	2.24-3.00mm	16#(power)	AC-CP000383
	HC18B-S32		HC18B-S32-2	HCTF16164				
HC18C-S32	HC18C-S32-2	20#(signal)	HCTF20101	Gold Plating	20-22 AWG	1.35-2.50mm	20#(signal)	AC-CP000382
			HCTF20104	Tin Plating				

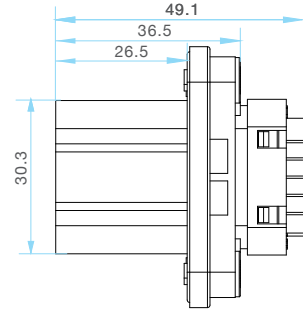
Note: Tin and gold plated terminals cannot match each other

Dimensions

16POS Connector Receptacle

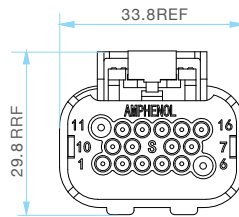


(mm)

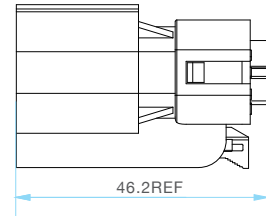


(mm)

16POS Connector

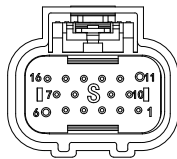


(mm)

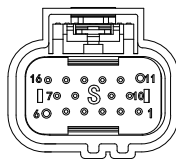


(mm)

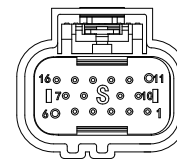
HC Signal Key Map



keyA 11.6



keyB 5.8



keyC 5.8



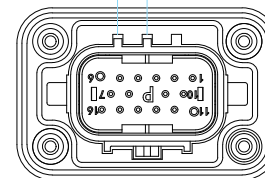
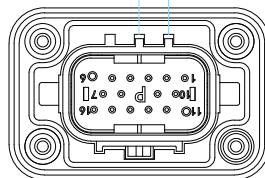
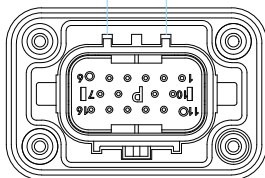
keyA 11.6



keyB 5.8



keyC 5.8



Ordering Information

Product Type		Connector Type		Polarization	Series	Installation Type	
HC	HC Signal	08	Receptacle Connector	A B C	P16	16POS	R Rear mounted

Terminal & Cable & Seal Plug Options

Receptacle	Terminal Type	Terminal Part Number	Plating Type	Wire gauge	Wire OD range	Seal Type	Seal Part Number
HC08A-P16R	16#(power)	HCTM16161	Gold Plating	16-18 AWG	2.24-3.00mm	16#(power)	AC-CP000383
HC08B-P16R		HCTM16164	Tin Plating				
HC08C-P16R	20#(signal)	HCTM20101	Gold Plating	20-22 AWG	1.35-2.50mm	20#(signal)	AC-CP000382
		HCTM20104	Tin Plating				

Product Type		Connector Type		Polarization	Series
HC	HC Signal	18	Plug Connector	A B C	S16 16POS

Terminal & Cable & Seal Plug Options

Receptacle	Terminal Type	Terminal Part Number	Plating Type	Wire gauge	Wire OD range	Seal Type	Seal Part Number
HC-18A-S16	16#(power)	HCTF16161	Gold Plating	16-18 AWG	2.24-3.00mm	16#(power)	AC-CP000383
HC-18B-S16		HCTF16164	Tin Plating				
HC-18C-S16	20#(signal)	HCTF20101	Gold Plating	20-22 AWG	1.35-2.50mm	20#(signal)	AC-CP000382
		HCTF20104	Tin Plating				


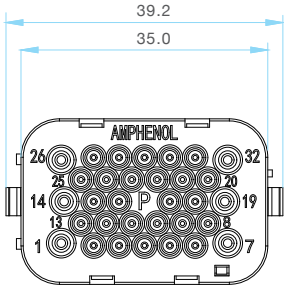
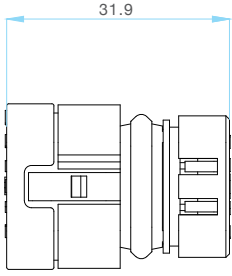
Note: Tin and gold plated terminals cannot match each other

Key Features	Technical Data	Typical Applications
<ul style="list-style-type: none"> Colored Body and Enhanced Rib for Blind Mating Up to IP68 Protection(mated) Scalable Pin Count Per Specific Requirement⁽¹⁾ Available with CPA Option Receptacle Housing External Installation Core can be Removed to Facilitate Disassembly 	<ul style="list-style-type: none"> Pin Count: 32pin Current Rating: Power: 13A MAX Signal: 5A MAX Cable Size: Power: 16~18 AWG Signal: 20~22AWG Dielectric Withstanding Voltage: 3000VDC Operating Temperature: -40°C - +125°C IP Rating: IP6K9K、 IP68(mated, subersion in 1M depth water with 48 hours.) Mating Cycle: 100Min Air leakage: 60KPa Fire Classification: UL94V0 	<ul style="list-style-type: none"> Signal and Power Transmission for PDU

(1) Offer pin plug for unused pin seal

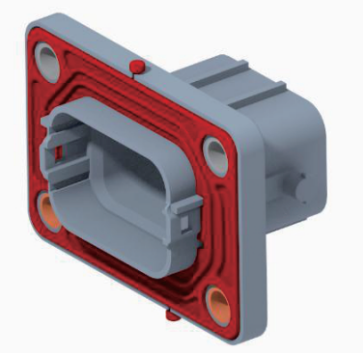
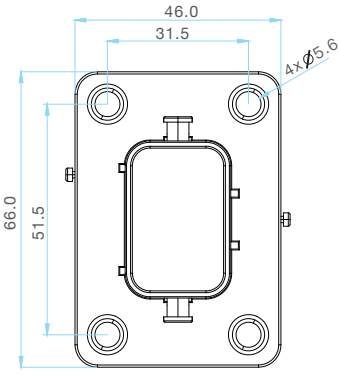
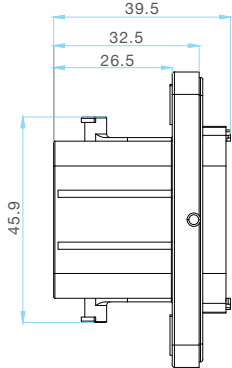
► Dimensions

32POS Connector Core

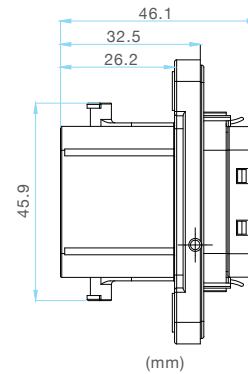
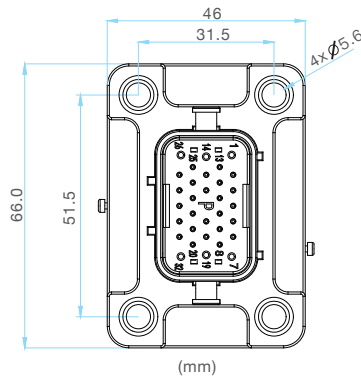
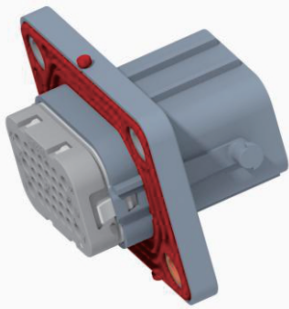
(mm)

32POS Connector Shell

(mm)

32POS Connector Receptacle (Three-stage Form)



Ordering Information-Core and Shell for Receptacle

Product Type		Connector Type		Polarization	Series	Component Type		
HC	HC Signal	08	Receptacle Connector	B	P32	32POS	C	Rec.Core

Product Type		Connector Type		Polarization	Series	Component Type		
HC	HC Signal	08	Receptacle Connector	B	P32	32POS	F	Rec.Shell

Terminal & Cable & Seal Plug Options

Receptacle	Terminal Type	Terminal Part Number	Plating Type	Wire gauge	Wire OD range	Seal Type	Seal Part Number
HC08B-P32C	16#(power)	HCTM16161	Gold Plating	16-18 AWG	2.24-3.00mm	16#(power)	AC-CP000383
		HCTM16164	Tin Plating				
HC08B-P32F	20#(signal)	HCTM20101	Gold Plating	20-22 AWG	1.35-2.50mm	20#(signal)	AC-CP000382
		HCTM20104	Tin Plating				

Note: (1) Tin and gold plated terminals cannot match each other
 (2) Core and shell need to be used together

The information contained in this data sheet is for reference only

Amphenol Technical Products International provides the above product specifications for the standard. Specifications are subject to change without notice. Contact your nearest Amphenol Corporation Sales Office for the latest specifications. All statements, information and data given herein are believed to be accurate and reliable but are presented without representation or warranty that any such use is free of patent infringement and are not recommendations to infringe any patent. Specifications are typical and may not apply to all connectors. Note that these specifications are derived from relevant global standards used in the automotive and industrial transportation markets, but they are not a substitute for system level design validation testing, which is the sole responsibility of the system designer and/or end user.

Asia Pacific

Changzhou, China

Tel: +86 519 8981 9713

Email: sales@amphenol-gec.com

Add: No.11 Fengxiang Road, New District,
Changzhou, Jiangsu, China

P.C: 213001

Guangzhou, China

Tel: +86 20 3210 6099

Add: 9th Floor, No.10, the 4th Street, Kehui
Jingu, Huangpu District, Guangzhou, China

P.C: 510663

North America

Winnipeg, Canada

Tel: +1 204 697 2222

Email: sales@tpil.com

Add: 2110 Notre Dame Avenue

Nogales, Mexico

Tel: +52(55) 5258 9984

Add: 482 Mariposa Road Building A, 85621

Website: www.tpil.com

October 2023, Rev.A