

GPS + IRIDIUM Patch Antenna - Automotive Qualified



APRA2504F00Z

Request Samples



Check Inventory



25.1 x 25.1 x 4.0 mm
RoHS/RoHS II Compliant
MSL Level = 1

Features

- Complies with Automotive Qualification (AEC-Q200)
- Complies with IATF 16949 Certification
- Multiband GPS + Iridium patch
- Low VSWR ≤ 2
- RHCP polarization
- Peak Gain of 4.5 dBi
 - GPS: 3.5 dBi
 - Iridium : 4.5 dBi

Applications

- Automotive
- GPS/Iridium applications
- IoT & M2M
- Industrial IoT
- Consumer electronics
- Wireless modules
- Video and surveillance
- Broadband cellular connectivity
- Networking & Telecommunications

Product Image



GPS + IRIDIUM Patch Antenna - Automotive Qualified



APRA2504F00Z

Request Samples



Check Inventory



25.1 x 25.1 x 4.0 mm
RoHS/RoHS II Compliant
MSL Level = 1

Electrical Specifications

Parameter	Specification		Unit
Operating Band	GPS	Iridium	
Operating Frequency	1575.42 ± 1.023	1610 ~ 1625	MHz
VSWR _{CF}	2		
Gain	3.5	4.5	dBi
Impedance	50		Ω
Polarization	RHCP		

Note :

- Ground Plane size: 70 x 70 mm
- Actual electrical characteristics will depend on the size of ground plane in use

Mechanical Specifications

Parameter	Specification
Antenna Dimension	25.1 x 25.1 x 4.0 mm
Material	Ceramic
Termination	Silver
Mounting Type	Through-Hole + Adhesive Tape

Environmental Specifications

Parameter	Specification
Operating Temperature	-40°C to +105 °C
Storage Temperature	
Frequency Temperature Coefficient (T _f)	-40 °C to +105 °C (0 ± 20 ppm/ °C)
RoHS / RoHS II Compliant	Yes
MSL	1
Environmentally Friendly	Pb free
Relative Humidity	0~95%
Soldering Feed Pin Temperature	+290 °C (3 seconds max)

GPS + IRIDIUM Patch Antenna - Automotive Qualified



APRA2504F00Z

Request Samples

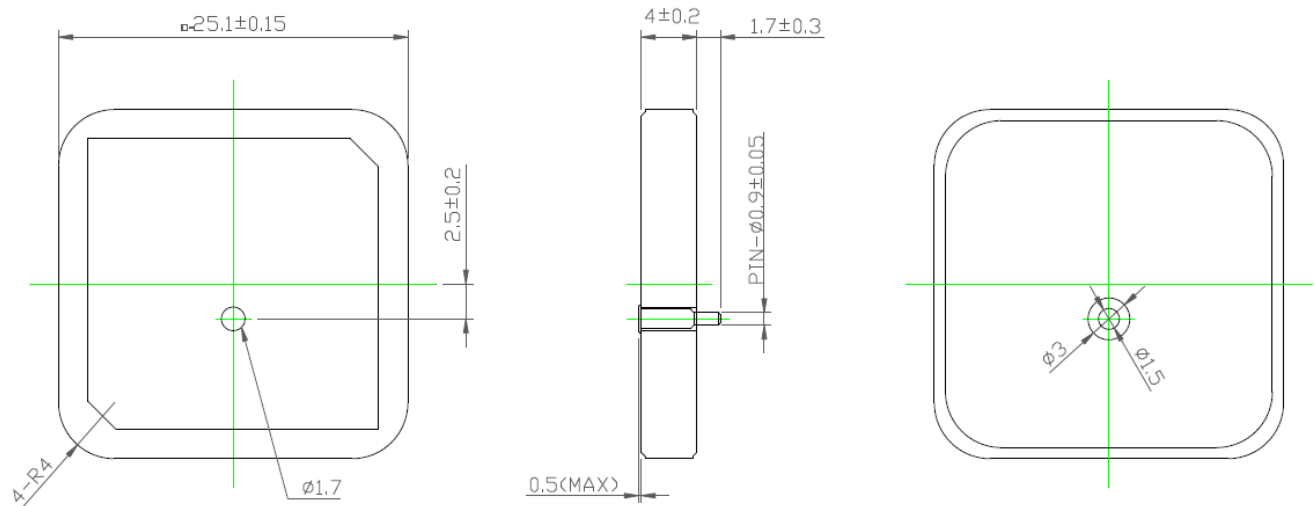


Check Inventory



25.1 x 25.1 x 4.0 mm
RoHS/RoHS II Compliant
MSL Level = 1

Product Dimension



Unit : mm

Product Marking



5101 Hidden Creek Ln Spicewood TX 78669
Phone: 512-371-6159 | Fax: 512-351-8858
For terms and conditions of sales, please visit:
www.abracon.com

REVISED: 06-29-21

ABRACON IS
ISO9001-2015
CERTIFIED

GPS + IRIDIUM Patch Antenna - Automotive Qualified



APRA2504F00Z

Request Samples

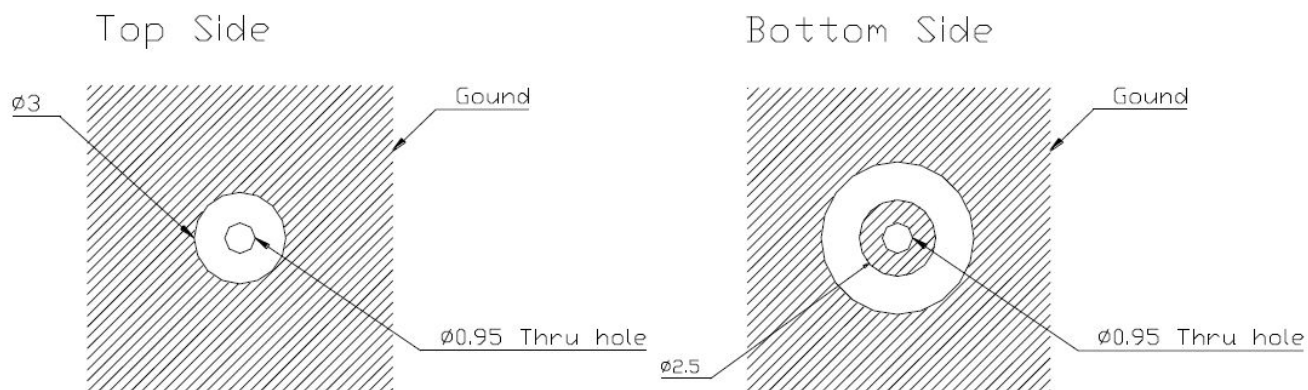


Check Inventory



25.1 x 25.1 x 4.0 mm
RoHS/RoHS II Compliant
MSL Level = 1

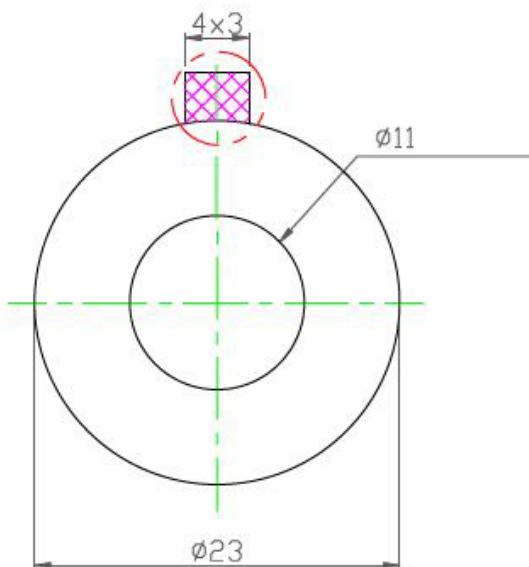
Layout Dimensions



TOL: ±0.20

Unit : mm

Tape Dimensions



Double – coated thin adhesive tape | Thickness : 0.12 mm

Unit : mm



5101 Hidden Creek Ln Spicewood TX 78669
Phone: 512-371-6159 | Fax: 512-351-8858
For terms and conditions of sales, please visit:
www.abracon.com

REVISED: 06-29-21

ABRACON IS
ISO9001-2015
CERTIFIED

GPS + IRIDIUM Patch Antenna - Automotive Qualified



APRA2504F00Z

Request Samples

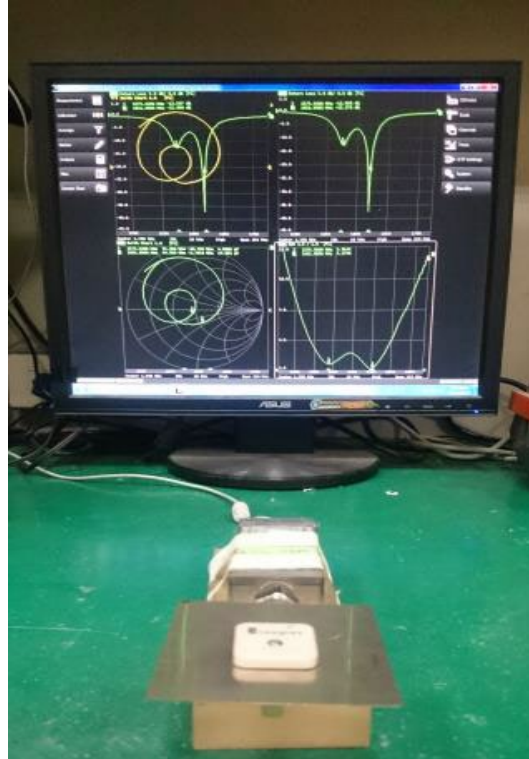


Check Inventory



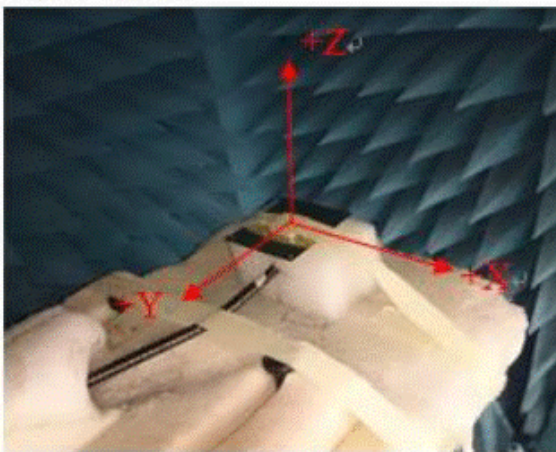
25.1 x 25.1 x 4.0 mm
RoHS/RoHS II Compliant
MSL Level = 1

VNA Test Measurement – Set up

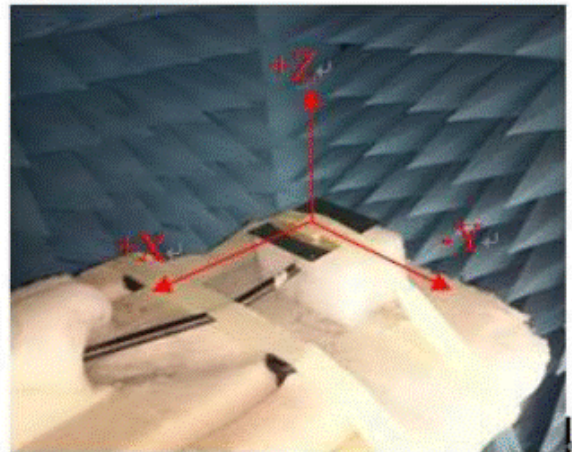


Radiation Measurement – Set up

XZ-Plane



YZ-Plane



GPS + IRIDIUM Patch Antenna - Automotive Qualified



APRA2504F00Z

Request Samples

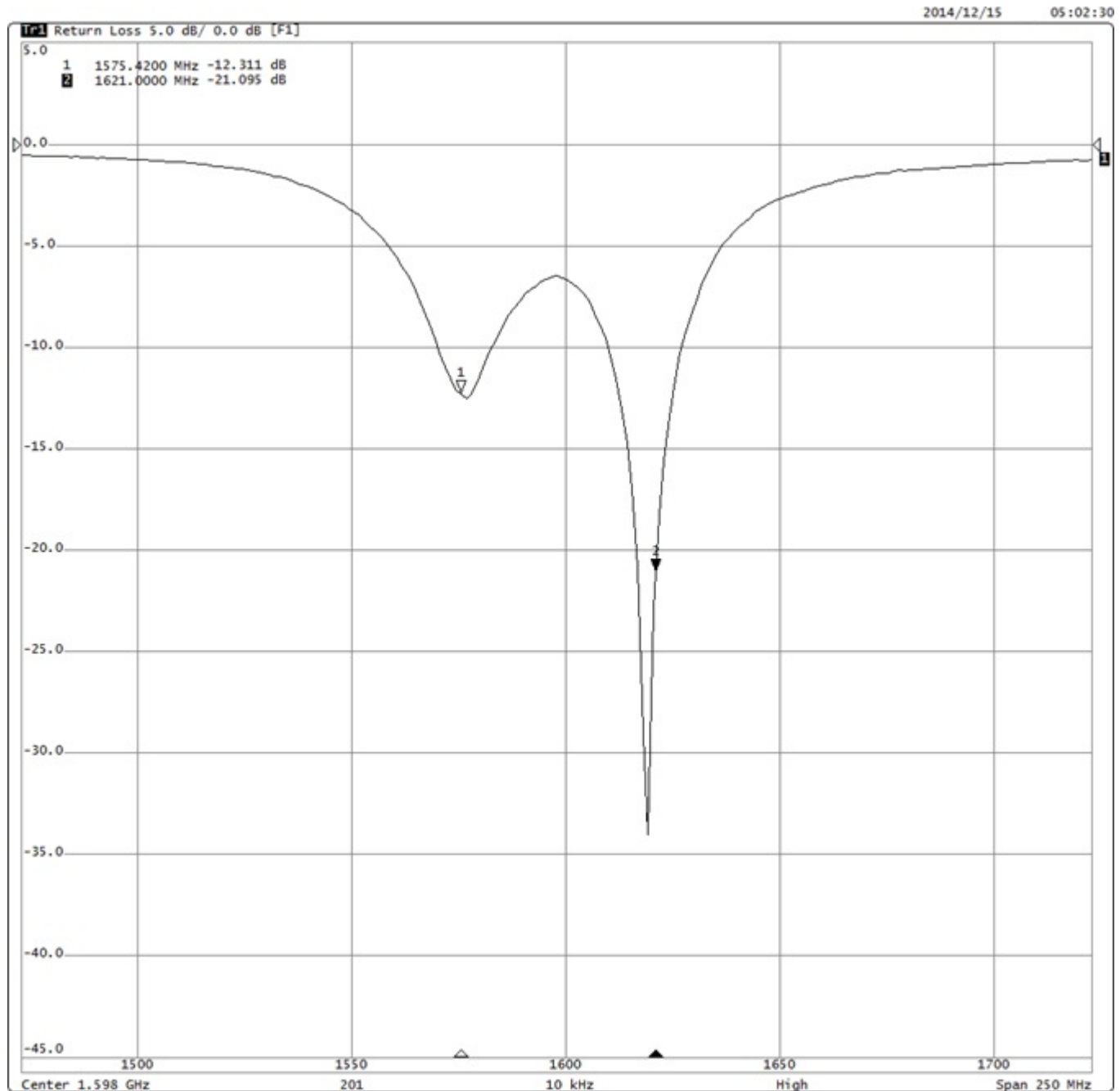


Check Inventory



25.1 x 25.1 x 4.0 mm
RoHS/RoHS II Compliant
MSL Level = 1

Test Measurement – Return Loss



5101 Hidden Creek Ln Spicewood TX 78669
Phone: 512-371-6159 | Fax: 512-351-8858
For terms and conditions of sales, please visit:
www.abracon.com

REVISED: 06-29-21

ABRACON IS
ISO9001-2015
CERTIFIED

GPS + IRIDIUM Patch Antenna - Automotive Qualified



APRA2504F00Z

Request Samples



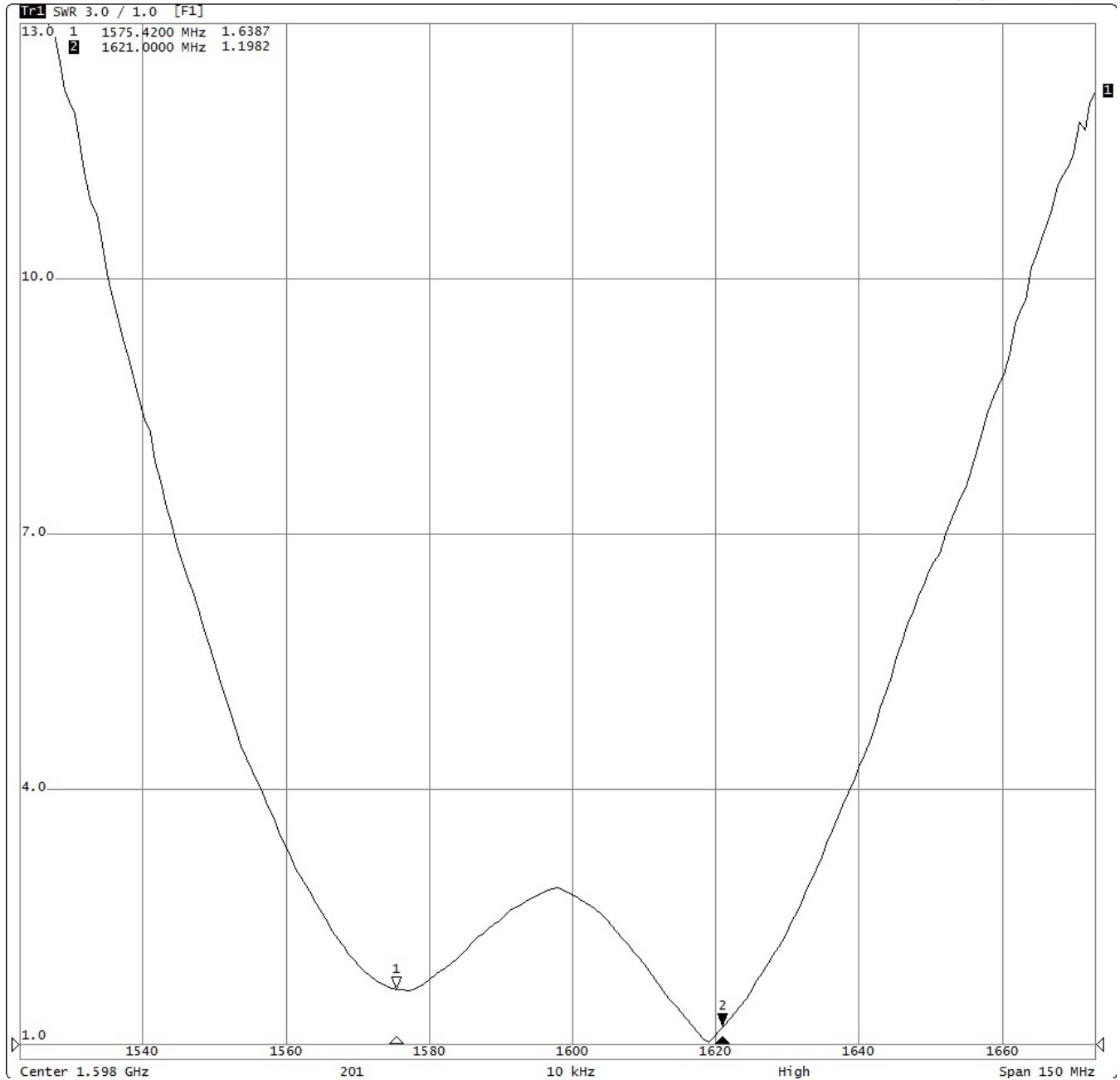
Check Inventory



25.1 x 25.1 x 4.0 mm
RoHS/RoHS II Compliant
MSL Level = 1

Test Measurement – VSWR

2014/12/15 05:02:33



5101 Hidden Creek Ln Spicewood TX 78669
Phone: 512-371-6159 | Fax: 512-351-8858
For terms and conditions of sales, please visit:
www.abracon.com

REVISED: 06-29-21

ABRACON IS
ISO9001-2015
CERTIFIED

GPS + IRIDIUM Patch Antenna - Automotive Qualified



APRA2504F00Z

Request Samples

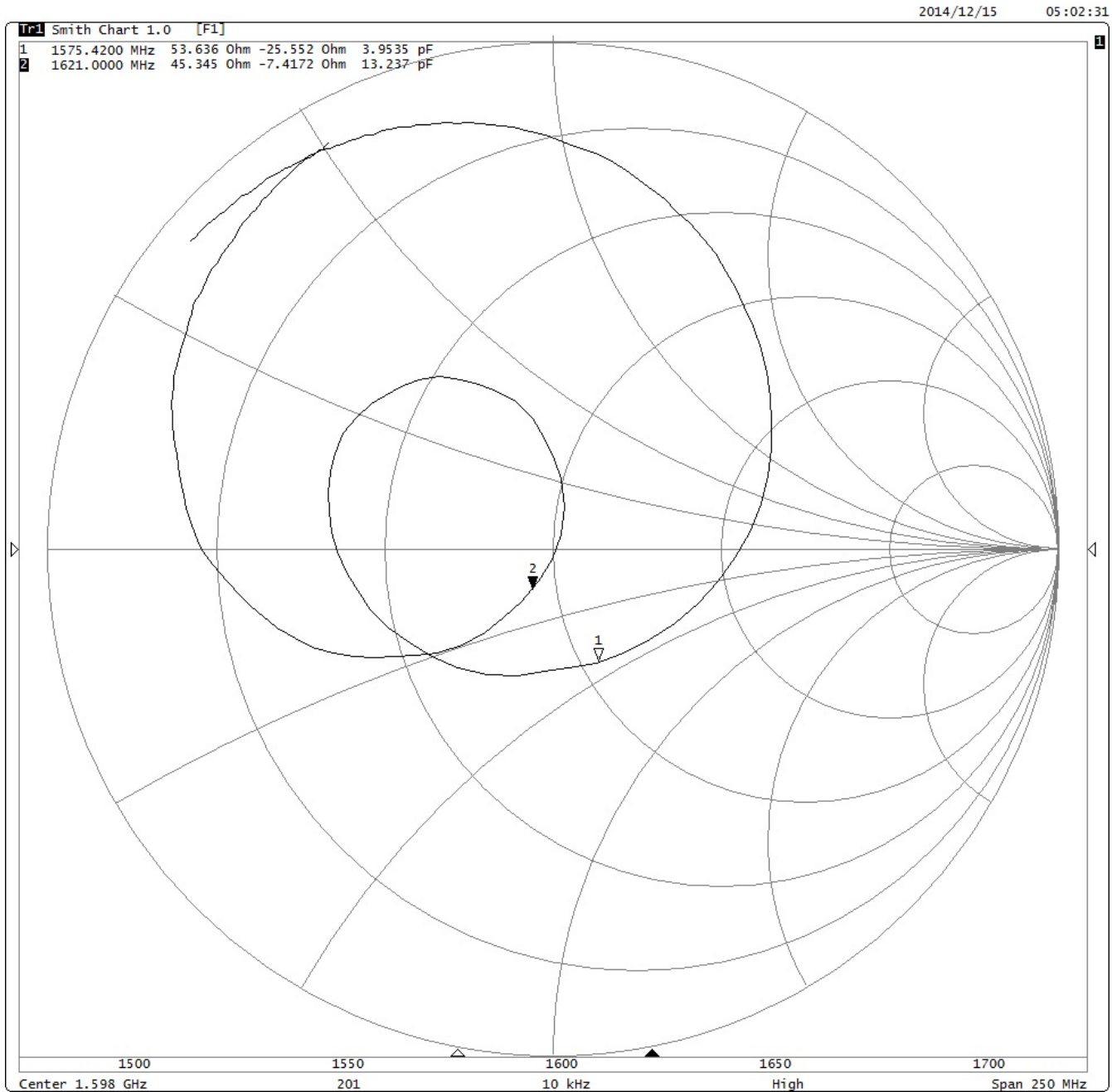


Check Inventory



25.1 x 25.1 x 4.0 mm
RoHS/RoHS II Compliant
MSL Level = 1

Test Measurement – Smith Chart



5101 Hidden Creek Ln Spicewood TX 78669
Phone: 512-371-6159 | Fax: 512-351-8858
For terms and conditions of sales, please visit:
www.abracon.com

REVISED: 06-29-21

ABRACON IS
ISO9001-2015
CERTIFIED

GPS + IRIDIUM Patch Antenna - Automotive Qualified



APRA2504F00Z

Request Samples



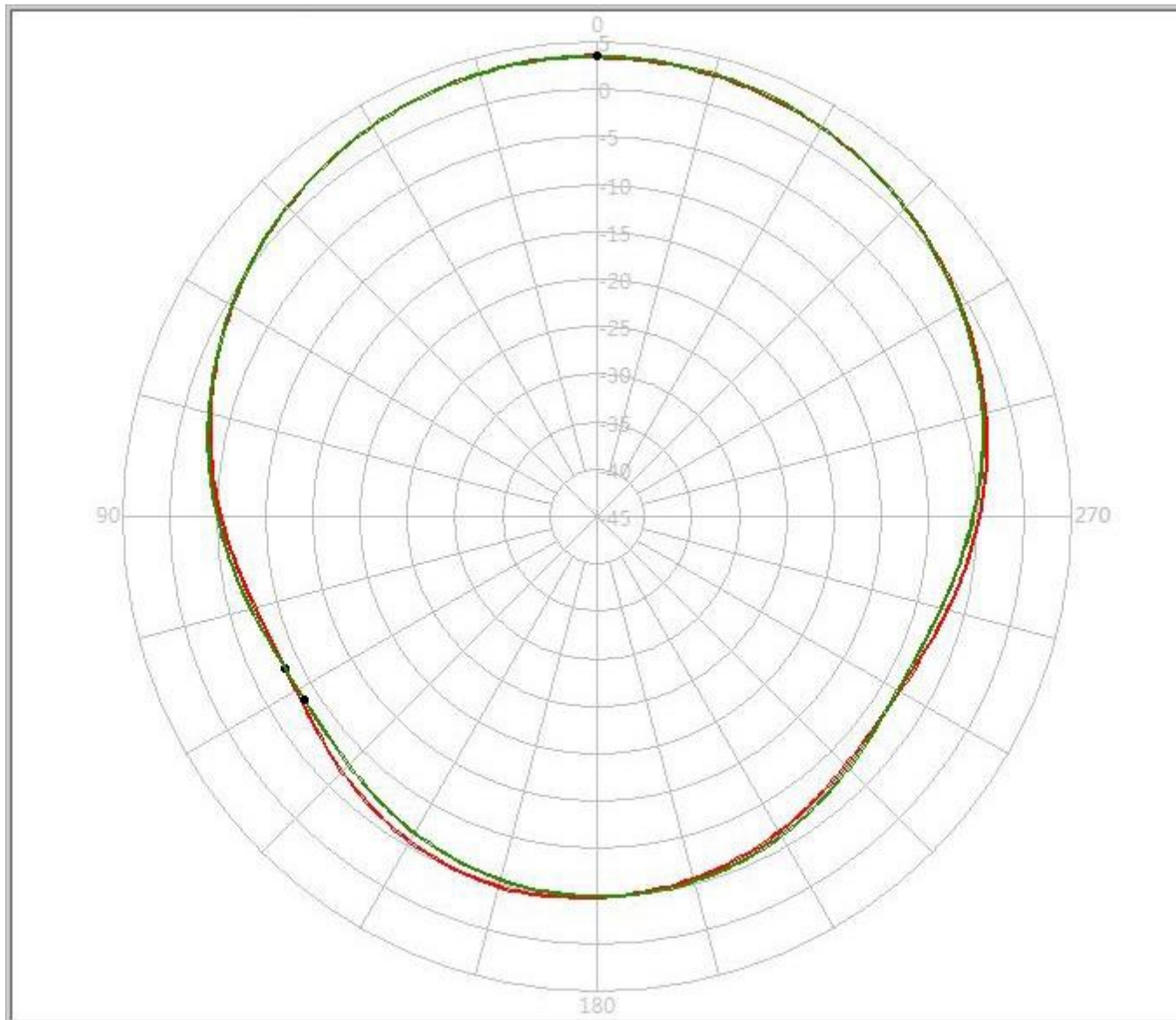
Check Inventory



25.1 x 25.1 x 4.0 mm
 RoHS/RoHS II Compliant
 MSL Level = 1

Radiation Measurement – 2D Pattern

XZ + YZ Plane : 1575.42 MHz



Pattern	Model No.	Test Mode	Freq(MHz)	Max Gain(dBi)	Min Gain(dBi)	Avg. Gain(dBi)	Source Polar.
1	APRA2504F00Z	XZ	1575.42	3.56 / 0.00	-8.44 / 116.00	-1.19	V+H
2	APRA2504F00Z	YZ	1575.42	3.49 / 0.00	-8.62 / 122.00	-1.21	V+H

GPS + IRIDIUM Patch Antenna - Automotive Qualified



APRA2504F00Z

Request Samples

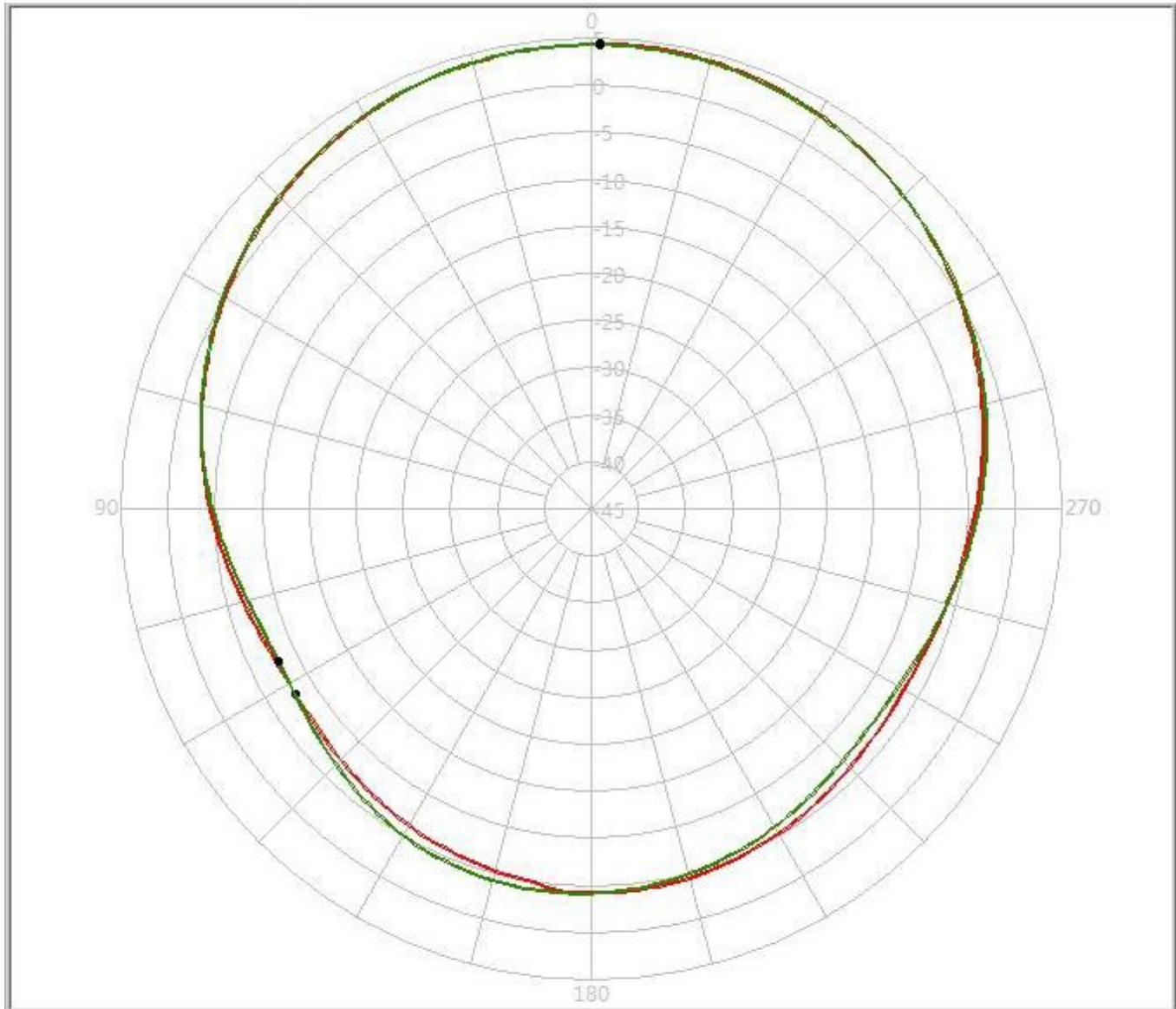


Check Inventory



25.1 x 25.1 x 4.0 mm
 RoHS/RoHS II Compliant
 MSL Level = 1

XZ + YZ – Plane : 1621 MHz



Pattern	Model No.	Test Mode	Freq(MHz)	Max Gain(dBi)	Min Gain(dBi)	Avg. Gain(dBi)	Source Polar.
1	APRA2504F00Z	XZ	1621.00	4.48 / 359.00	-7.91 / 122.00	-0.38	V+H
2	APRA2504F00Z	YZ	1621.00	4.32 / 359.00	-8.01 / 116.00	-0.36	V+H

GPS + IRIDIUM Patch Antenna - Automotive Qualified



APRA2504F00Z

Request Samples



Check Inventory



25.1 x 25.1 x 4.0 mm
RoHS/RoHS II Compliant
MSL Level = 1

Soldering Condition

- Soldering should be done in 3 seconds by a feed pin of maximum temperature +290 °C.

Precautions

- Do not direct solder onto the silver electrode of the antenna pattern.
- Do not use the patch antenna in a corrosive gaseous atmosphere for example sulfur gas, chlorine gas.

GPS + IRIDIUM Patch Antenna - Automotive Qualified



APRA2504F00Z

Request Samples



Check Inventory



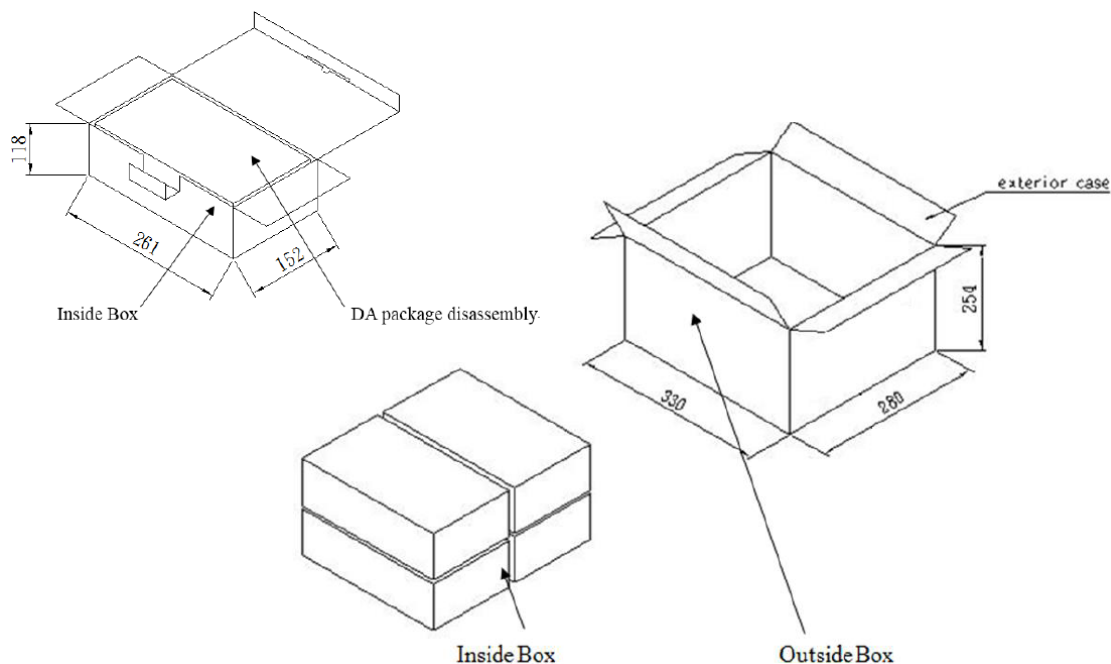
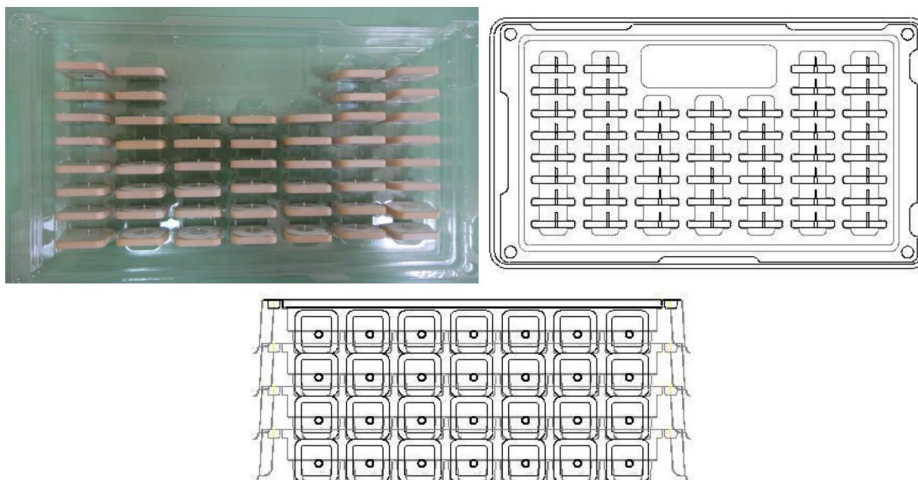
25.1 x 25.1 x 4.0 mm
RoHS/RoHS II Compliant
MSL Level = 1

Packaging Information

Dimensions of the inner carton : 261 x 152 x 118 mm

Dimensions of the outer Carton : 330 x 280 x 254 mm

Number of pcs per outer Carton : 800



ATTENTION: Abracon LLC's products are COTS – Commercial-Off-The-Shelf products; suitable for Commercial, Industrial and, where designated, Automotive Applications. Abracon's products are not specifically designed for Military, Aviation, Aerospace, Life-dependent Medical applications or any application requiring high reliability where component failure could result in loss of life and/or property. For applications requiring high reliability and/or presenting an extreme operating environment, written consent and authorization from Abracon LLC is required. Please contact Abracon LLC for more information.



5101 Hidden Creek Ln Spicewood TX 78669
Phone: 512-371-6159 | Fax: 512-351-8858
For terms and conditions of sales, please visit:
www.abracon.com

REVISED: 06-29-21

ABRACON IS
ISO9001-2015
CERTIFIED