

# SHIELDPACK™

## HV RCS890 SI DM 2 WAY



### AVAILABLE CONFIGURATIONS

Connector Type	Wire-to-device
Cable Exit Orientation	90°
Cable Range (mm <sup>2</sup> )	35 - 50 (power) / 0.35 - 1 (HVIL)
Terminal Type	8 mm round contact system
# of Power Terminals	2
Shielding	Individual
HVIL	Shunt on female
Assembly Assurance	SPA (Screwed Position Assurance)
Number of Indexes	1



### APPLICATIONS

AC / DC inverter	Power electric box
DC / DC converter	HV PDU
HV battery	

See back page for representative part numbers and packaging dimensions.

### BENEFITS

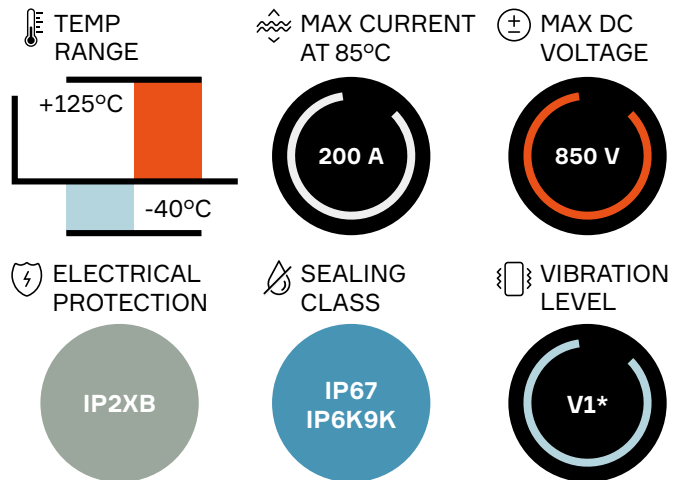
- Cost effective solution with unshielded terminal holder within device replacing traditional shielded headers
- Unique and safe mating screwing with innovative Screw Position Assurance (SPA)
- Header is sealed in both mated and unmated position

### FEATURES

- Robust bolt driven mate assist
- Fingersafe via plastic tips on male pins
- Cable range: ~ 50 mm<sup>2</sup> and smaller



### PERFORMANCE



\* For classification V2 please consult an Aptiv representative.

### About Aptiv

Aptiv is a global technology company that develops safer, greener and more connected solutions enabling the future of mobility.

Visit [aptiv.com](https://www.aptiv.com) →



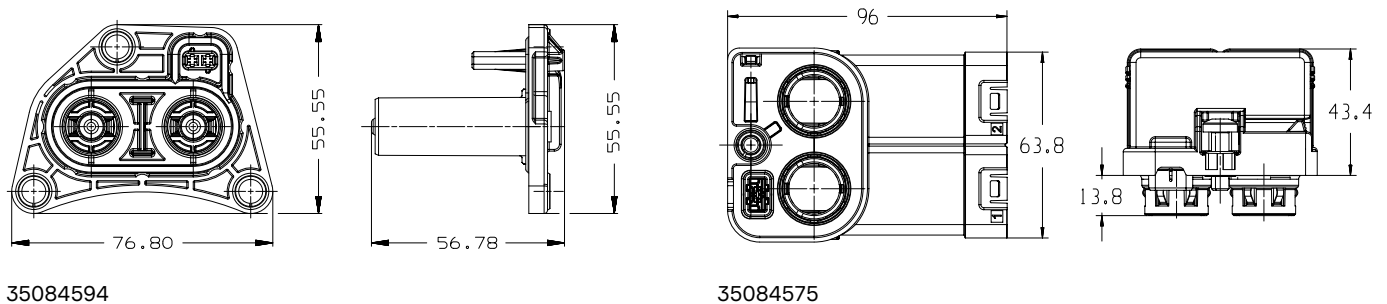
• **APTIV** •

Header	Mating connector	BOM
35084594	35084575	1

## ASSOCIATED PARTS

Part number	Description	BOM
<b>Header</b>		
15549847	DSQ 1.5 female terminal silver-plated 0.35 - 0.5 mm <sup>2</sup>	2
15549848	DSQ 1.5 female terminal silver-plated 0.75 - 1 mm <sup>2</sup>	
15441379	DCS/DSQ 1.5 red single wire seal 0.22 - 0.5 mm <sup>2</sup>	2
15441380	DCS/DSQ 1.5 grey single wire seal 0.75 - 1 mm <sup>2</sup>	
<b>Mating connector</b>		
33502217	RCS 890 female terminal silver-plated 35 - 50 mm <sup>2</sup>	2
35082415	Outer ferrule 35 mm <sup>2</sup>	2
35234890	Outer ferrule 50 mm <sup>2</sup>	
35084603	Recovery shield assembly 35 mm <sup>2</sup>	2
35236787	Recovery shield assembly 50 mm <sup>2</sup>	
35084610	Single wire seal & retainer 35 mm <sup>2</sup>	2
35084586	Single wire seal & retainer 50 mm <sup>2</sup>	

## DIMENSION MEASUREMENT SAMPLE



Part numbers, specifications, dimensions and performance data in this document are for general references only and are subject to change without notice. To verify product information, please contact an Aptiv representative.