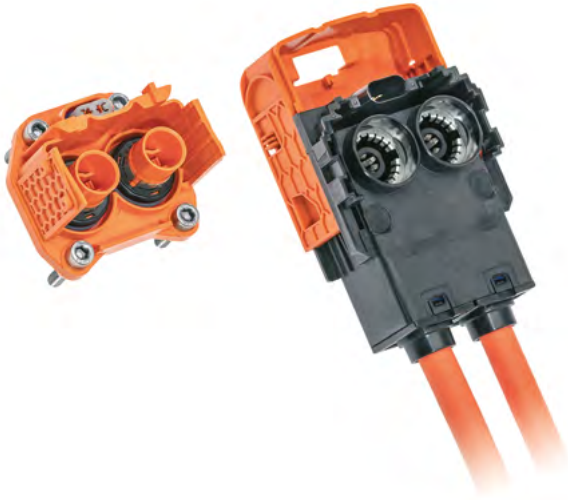


SHIELDPACK™

HV RCS890 SI 2 WAY



AVAILABLE CONFIGURATIONS

Connector Type	Wire-to-device
Cable Exit Orientation	90°
Cable Range (mm²)	35 - 70
Terminal Type	8 mm round contact system
# of Power Terminals	2
Shielding	Individual
HVIL	Shunt on female
Assembly Assurance	CPA
Number of Indexes	1



APPLICATIONS

AC / DC inverter	Power electric box
DC / DC converter	HV PDU
HV battery	

See back page for representative part numbers and packaging dimensions.

BENEFITS

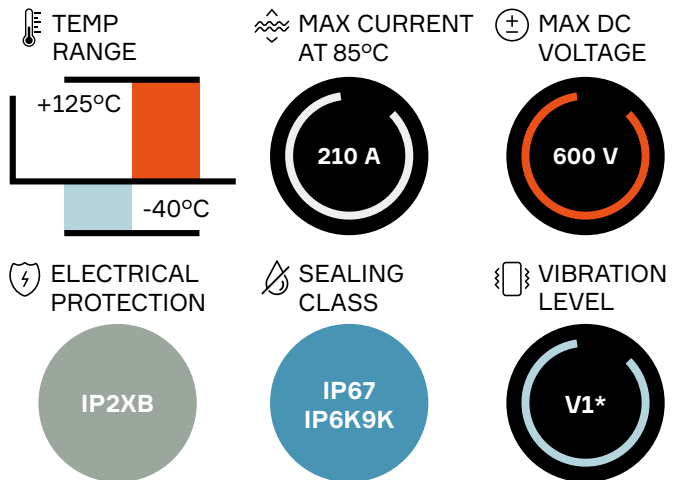
- Specifically designed for compact environments
- High-water protections resulting from sealed unmated header
- Easy assembly thanks to slider feature on female connector

FEATURES

- Header has flat and simple device interface
- Connectors dismounting in 2 steps for time delay between interlock opening and power disconnection
- Slider solution offers the maximum pressure surface in limited space conditions



PERFORMANCE



* For classification V2 please consult an Aptiv representative.

About Aptiv

Aptiv is a global technology company that develops safer, greener and more connected solutions enabling the future of mobility.

Visit aptiv.com →



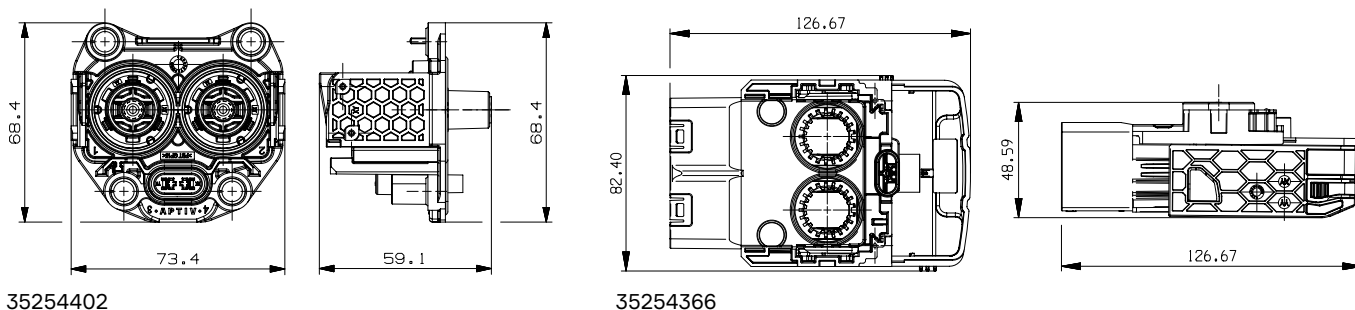
Header connector	Mating connector	BOM
35254402	35254366	1

ASSOCIATED PARTS

Part number	Description	BOM
Header		
15549847	DSQ 1.5 female terminal silver-plated 0.35 - 0.5 mm ²	2
15549848	DSQ 1.5 female terminal silver-plated 0.75 - 1 mm ²	
15441379	DCS/DSQ 1.5 male red single wire seal 0.22 - 0.5 mm ²	2
15441380	DCS/DSQ 1.5 male grey single wire seal 0.75 - 1 mm ²	
Mating Connector		
33502217	RCS 890 female terminal silver-plated 35 - 50 mm ²	2
35225104	RCS 890 female terminal silver-plated 70 mm ²	
35082415	Outer ferrule 35 mm ²	2
35234890	Outer ferrule 50 - 70 mm ²	
35084603	Recovery shield assembly 35 mm ²	2
35236787	Recovery shield assembly 50 - 70 mm ²	
35084610	Single wire seal & retainer 35 mm ²	2
35084586	Single wire seal & retainer 50 mm ²	
35236755	Single wire seal & retainer 70 mm ²	



DIMENSION MEASUREMENT SAMPLE



Part numbers, specifications, dimensions and performance data in this document are for general references only and are subject to change without notice. To verify product information, please contact an Aptiv representative.

CS-SP130-HV-En0323